

Passenger Short Rail Kit For Can-Am Ryker

SAUTV5

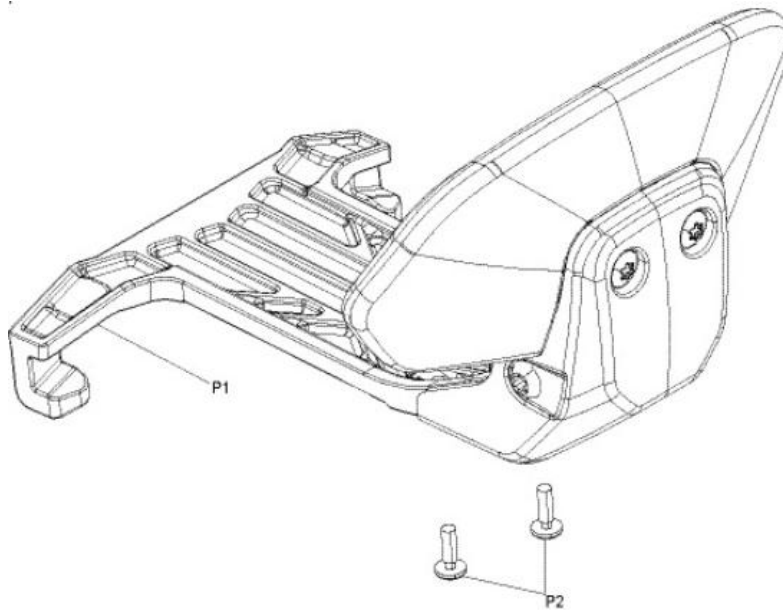
ZP-YJ-030603-165

BEFORE YOU BEGIN

Read these instructions and check to be sure all parts and tools are accounted. Please retain these installation instructions for future reference.

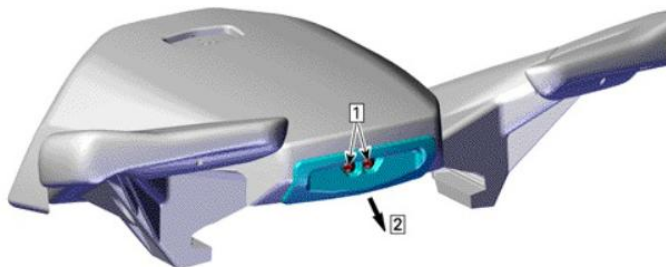
IMPORTANT

This PASSENGER SHORT RAIL KIT is exclusively designed for your vehicle. Please read the installation instructions thoroughly before beginning. Installation is easier if the vehicle is clean and free of debris.

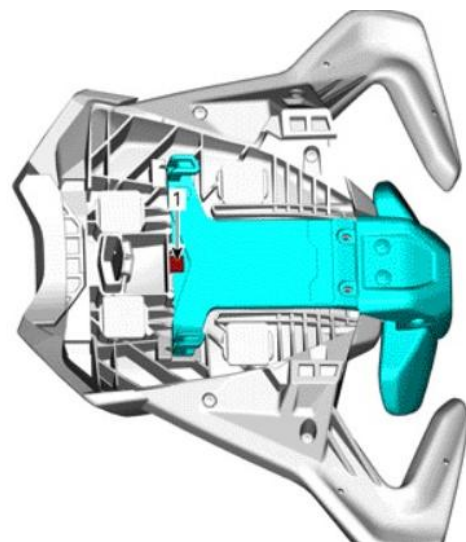


INSTALLATION INSTRUCTIONS

1. Shift vehicle transmission into "PARK". Turn key to "OFF" position and remove from vehicle.
2. For the basic seat (P/N 219400492), remove the cap behind the seat.



1. Remove retaining screws
2. Remove cap
2. Position the passenger backrest [P1] under latch as shown.



1. Latch
3. Fix the passenger backrest [P1] with two K50x16 Torx screw [P2]. Tighten to specification.

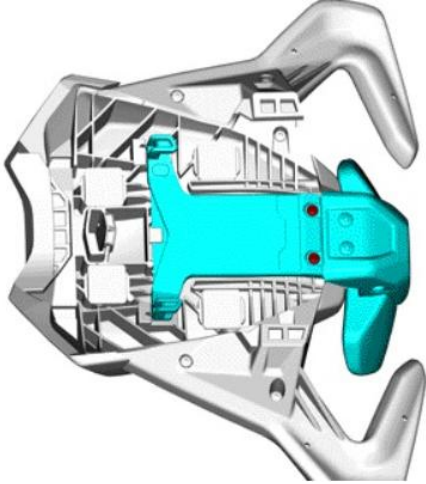
Passenger Short Rail Kit For Can-Am Ryker

SAUTV⁵

ZP-YJ-030603-165

3. Tightening torque.

K50x16 Torx screw [P2]



4. Install the seat according to its procedure. Make sure the lock button is in lock position and make sure the footrest are in lower position when there is a passenger.

