

BEFORE YOU BEGIN



Read these instructions and check to be sure all parts and tools are accounted for. Please retain these installation instructions for future reference.

These Floor Drain Plugs are exclusively designed for your vehicle. Please read the installation instructions thoroughly before beginning. Installation is easier if the vehicle is clean and free of debris. For your safety, and to ensure a satisfactory installation, perform all installation steps correctly in the sequence shown.

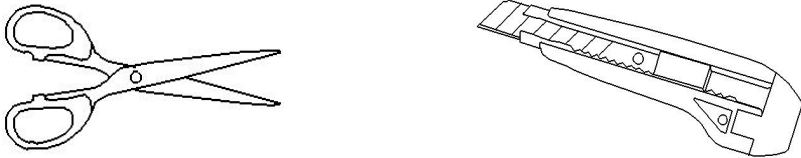

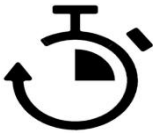
NOTE

Vehicles of the year 2022 and earlier need to be installed according to the instructions, and vehicles of the year 2023 and later can be directly installed.

KIT CONTENTS

PART DESCRIPTION	Diagram	QTY
Floor Drain Plugs		4
Perforated Pattern Paper		1

PART NO.

		
 1 person	 0.3 hour	Easy

INSTALLATION INSTRUCTIONS

Note: Shift vehicle transmission into "PARK".
Turn key to "OFF" position and remove from vehicle.

1. Remove the rubber drain hole plug from the original vehicle first. As shown in picture:



2. Use scissors to cut out the template paper, corresponding to the left and right holes, mark with a marker, and then use a utility knife to cut out the gap. As shown in picture:



3. Screw the drain hole cover into the hole and complete the installation. As shown in picture:



Note: Please refer to the installation video in the Amazon listing before your installation, or contact the seller for the installation video.