

Foldable Passenger Backrest Kit For Can-Am Ryker

ZP-YJ-030603-169

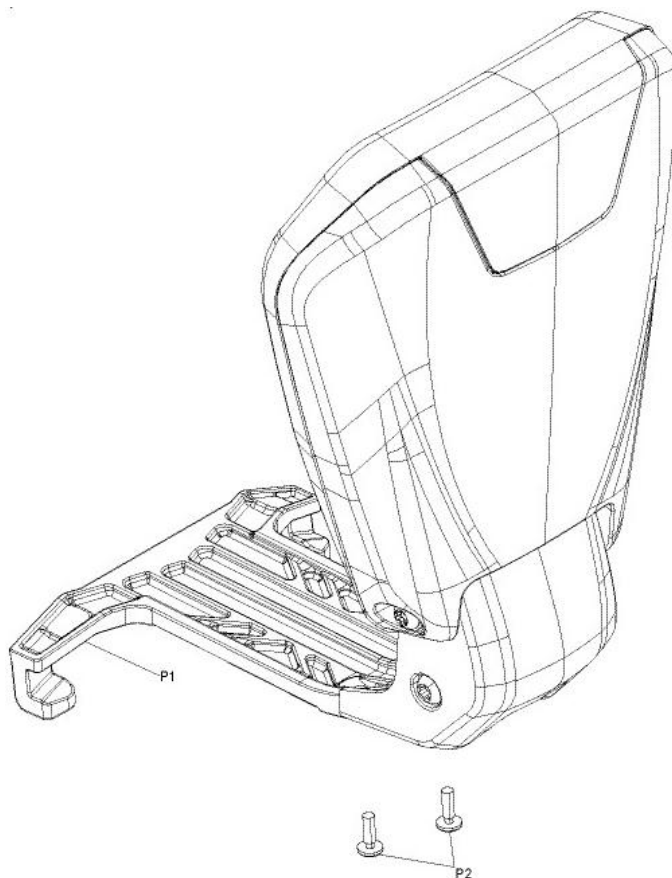
SAUTV5

BEFORE YOU BEGIN

Read these instructions and check to be sure all parts and tools are accounted. Please retain these installation instructions for future reference.

IMPORTANT

This FOLDABLE PASSENGER BACKREST KIT is exclusively designed for your vehicle. Please read the installation instructions thoroughly before beginning. Installation is easier if the vehicle is clean and free of debris.



KIT CONTENTS

| ITEM | DESCRIPTION | QTY |
|------|--------------------|-----|
| P1 | Assembled backrest | 1 |
| P2 | K50x16 Torx screw | 1 |

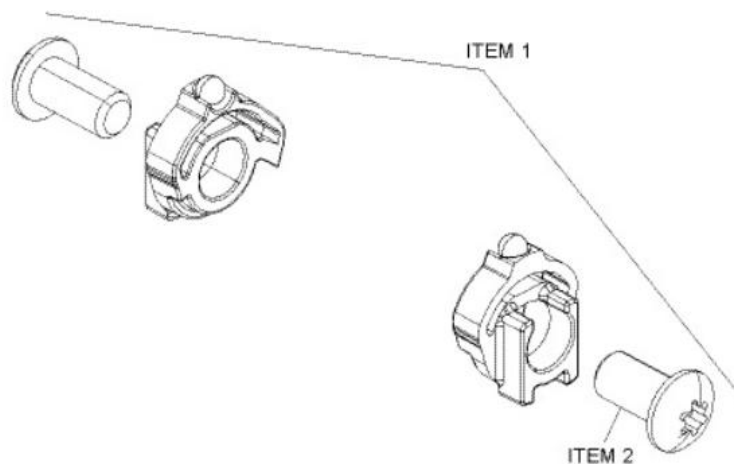
NOTE: This kit require the passenger seat (P/N 219400492) or the passenger comfort seat (P/N 219400750) to be installed prior.

Foldable Passenger Backrest Kit For Can-Am Ryker

ZP-YJ-030603-169



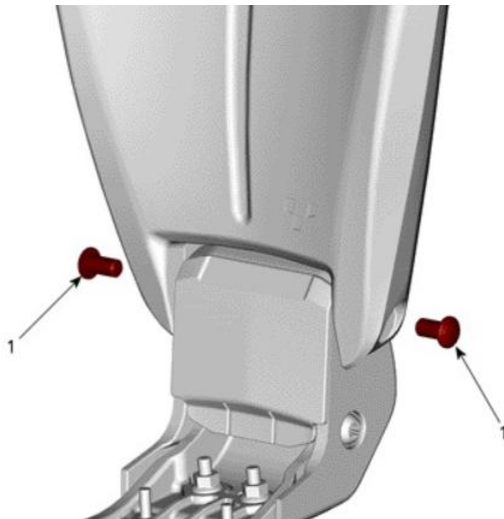
SERVICE PARTS



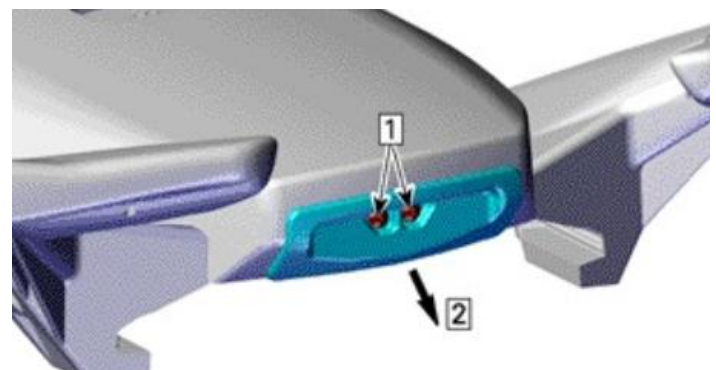
| ITEM | DESCRIPTION | QTY |
|------|---------------------|-----|
| 1 | Restrictor Ring Kit | 1 |
| 2 | M8x30 Torx Screw | 1 |

SERVICE PROCEDURE

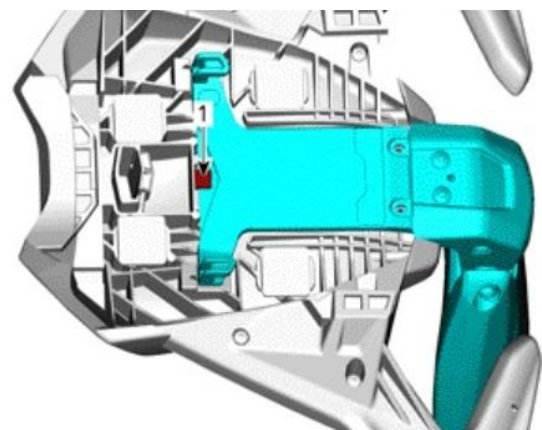
Tighten M8x30 Torx Screws to specifications.



1. M8x30 Torx Screw [ITEM 1]
tightening torque
M8x30 Torx screw [ITEM 1]
 $12 \pm 2 \text{ N}\cdot\text{m}$ ($106 \pm 18 \text{ lbf}\cdot\text{in}$)



1. Remove retaining screws
2. Remove cap
3. Position the passenger backrest [P1] under latch as shown.



1. Latch

INSTALLATION INSTRUCTIONS

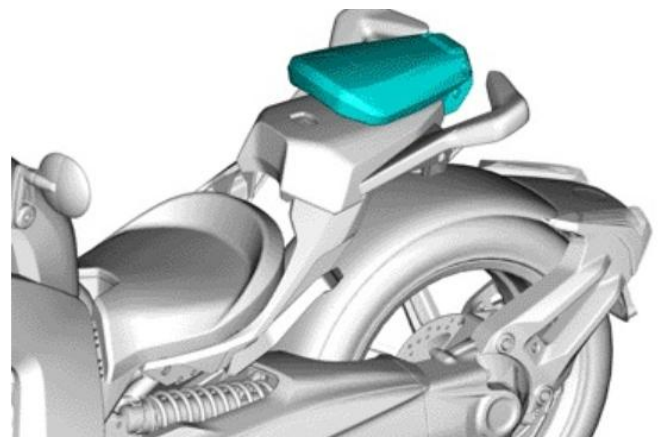
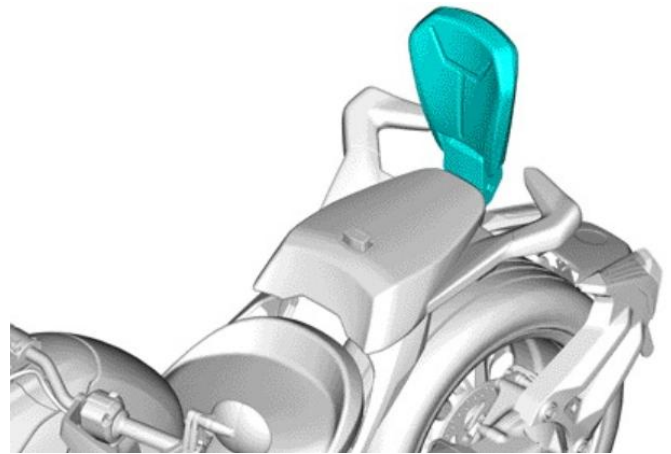
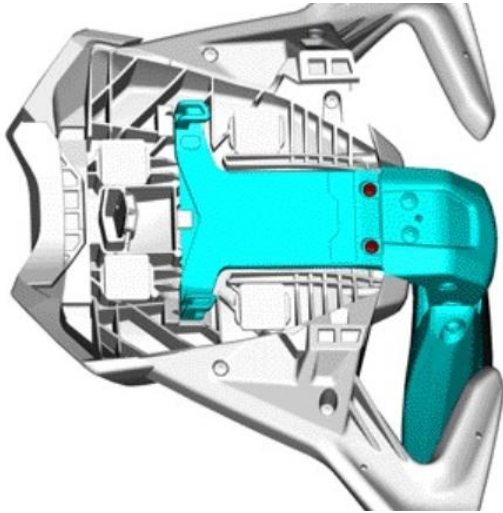
1. Shift vehicle transmission into "PARK". Turn key to "OFF" position and remove from vehicle.
2. For the basic seat (P/N 219400492), remove the cap behind the seat.

Foldable Passenger Backrest Kit For Can-Am Ryker

SAUTV5

ZP-YJ-030603-169

4. Fix the passenger backrest [P1] with two K50x16 Torx screw [P2].



Tightening torque

K50x16 Torx screw [P2]

$1.5 \pm 0.5 \text{ N}\cdot\text{m}$ ($13 \pm 4 \text{ lbf}\cdot\text{in}$)

5. Install the seat according to its procedure. Make sure the lock button is in lock position and make sure the footrest are in lower position when there is a passenger.

NOTE: The backrest is foldable for when there is no passenger.