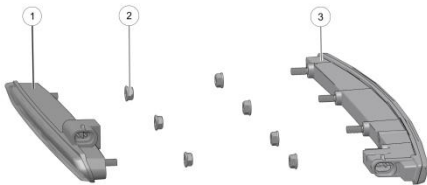


BEFORE YOU BEGIN

Read these instructions and check to be sure all parts and tools are accounted. Please retain these installation instructions for future reference.

This *Accent Light Kit* is exclusively designed for your vehicle. Please read the installation instructions thoroughly before beginning. Installation is easier if the vehicle is clean and free of debris.

KIT CONTENTS



PART DESCRIPTION	QTY
Front Accent Light Assembly	1
Nut, Hex, Flange, Self-Locking, M6	7
Center Tail Light	1

TOOLS REQUIRED

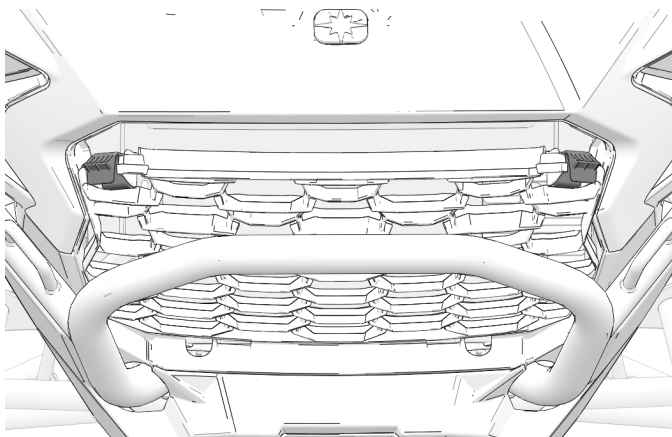
Safety Glasses	Socket Set, Torx Bit	Torque Wrench
Screwdriver Set, Torx	Hex Key Set, Metric	Wrench Set, Metric

INSTALLATION INSTRUCTIONS

Note: Shift vehicle transmission into “PARK”. Turn key to “OFF” position and remove from vehicle.

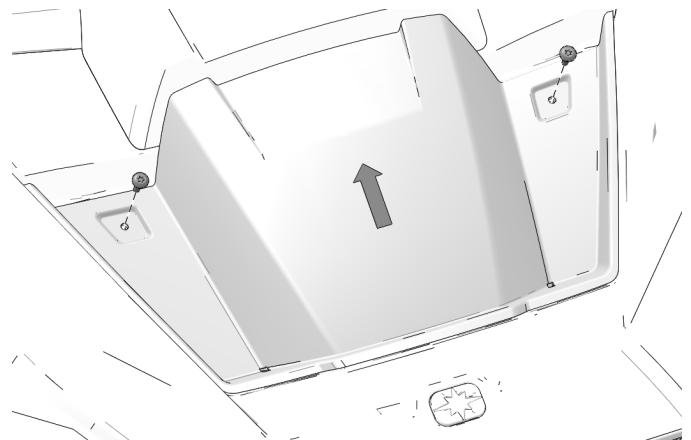
GRILLE REMOVAL

1. Push two tabs down to remove grille.



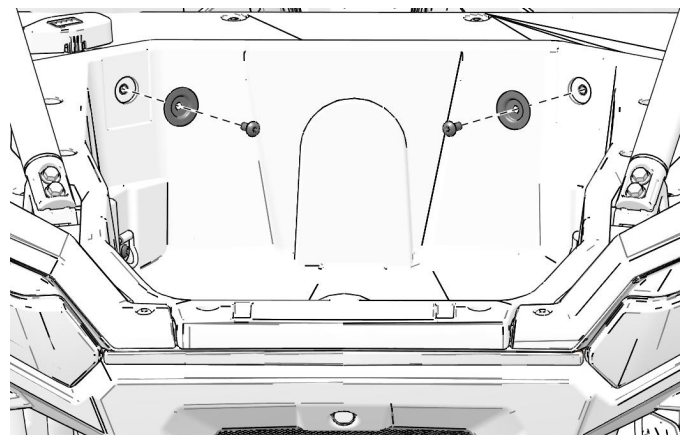
HOOD REMOVAL

1. Remove and keep two hood fasteners. Move hood rearward to remove.

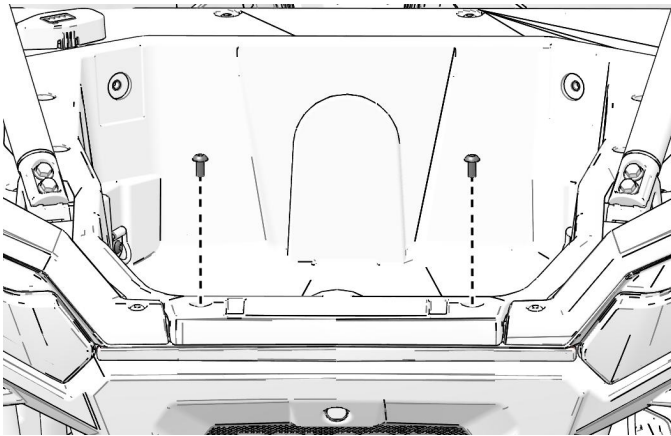


CARGO BOX REMOVAL

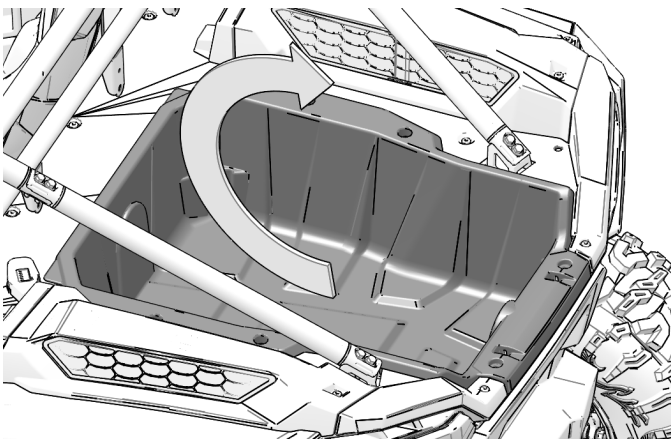
1. Remove and keep two screws and stepped washers from cargo box.



2. Remove and keep two screws from back of cargo box.

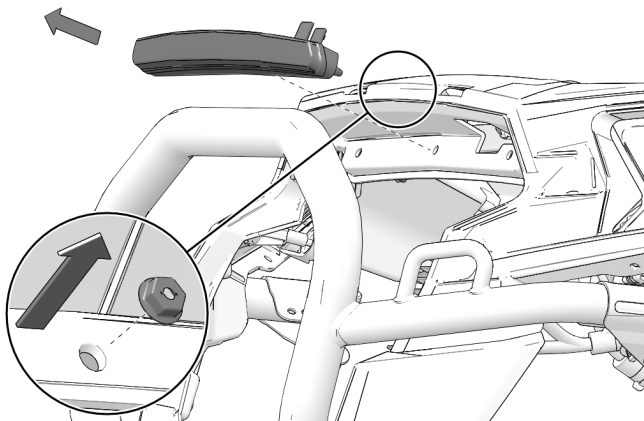


3. Remove cargo box.



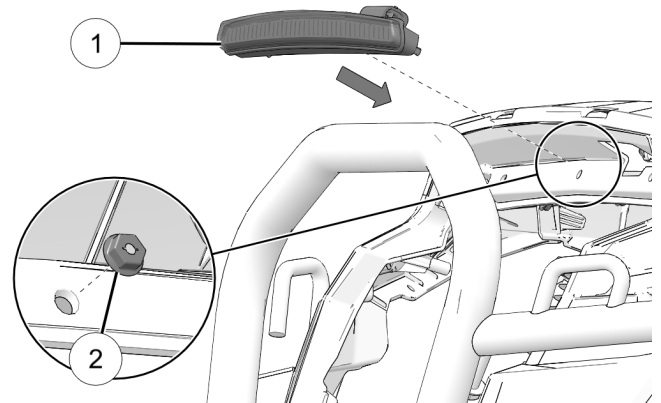
ACCESSORY INSTALLATION

1. Remove plastic accent light cover and three nuts from vehicle.

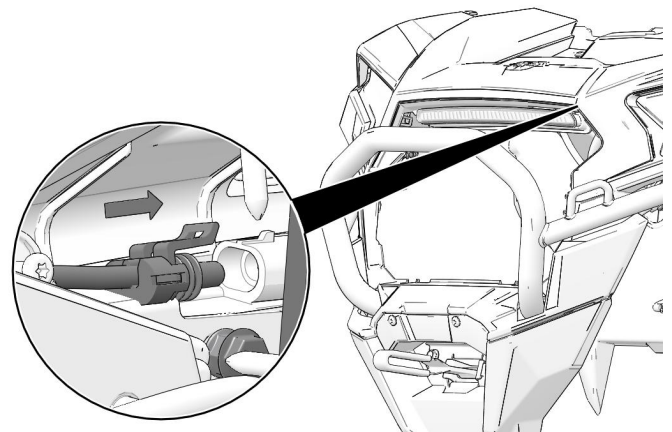


2. Attach front accent light assembly(1) with three hex nuts(2). Torque nuts to required specification.

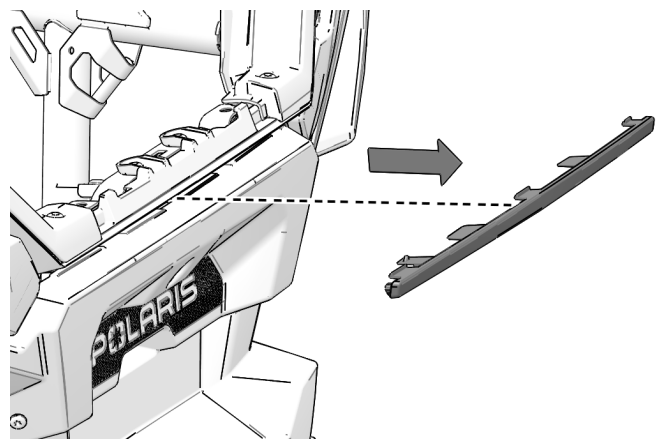
TORQUE: Front Accent Light Nut (2):
88 in-lbs (10 N • m)



3. Remove socket cap and connect power cable to front access light assembly.

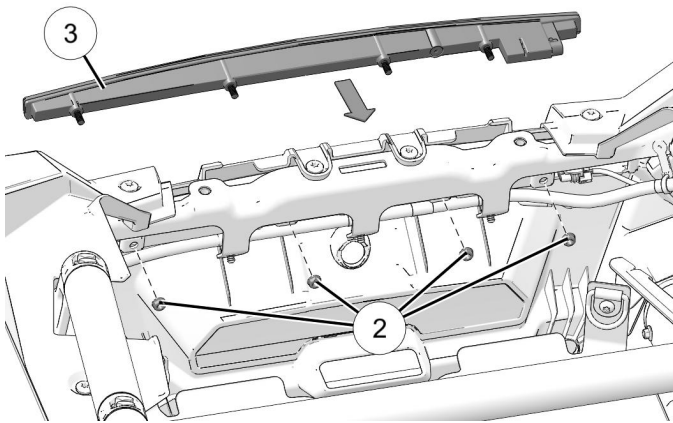


4. Remove rear plastic trim piece from vehicle.

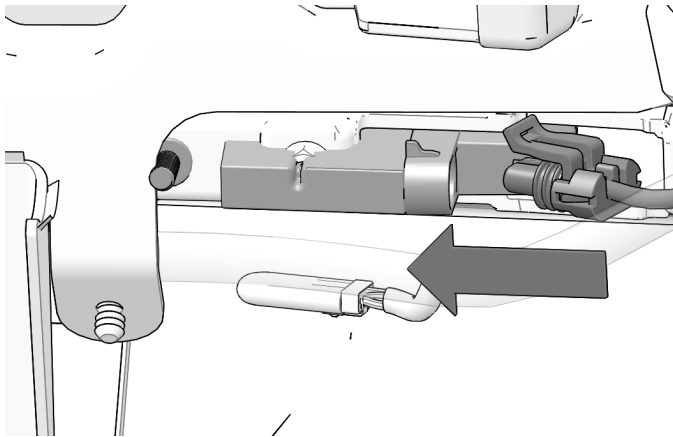


5. Insert center accent light (3) to vehicle with four hex nuts. Torque nuts to required specification.

TORQUE:Rear Accent Light Nut(2) :
88 in-lbs (10 N • m)



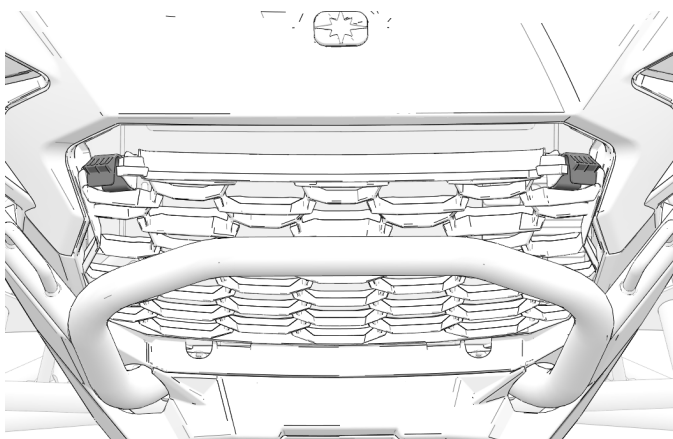
6. Remove cap and connect power cable to rear accent light.



VEHICLE REASSEMBLY

GRILLE INSTALLATION

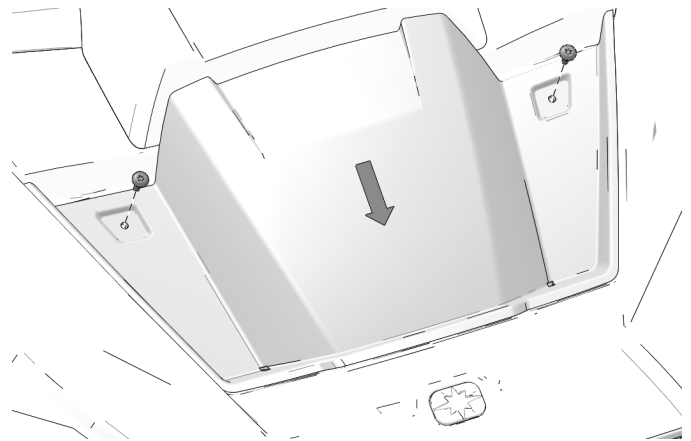
1. Put bottom of grille in first and push top of grille in until two tabs engage upper front fascia.



HOOD INSTALLATION

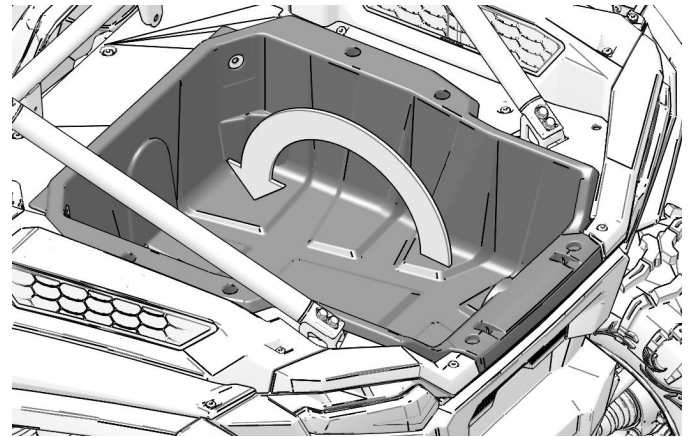
1. Move hood forward, into outer hood panel, and install with two retained fasteners. Torque fasteners to specification.

TORQUE: Hood Fasteners:88 in-lbs (10 N • m)



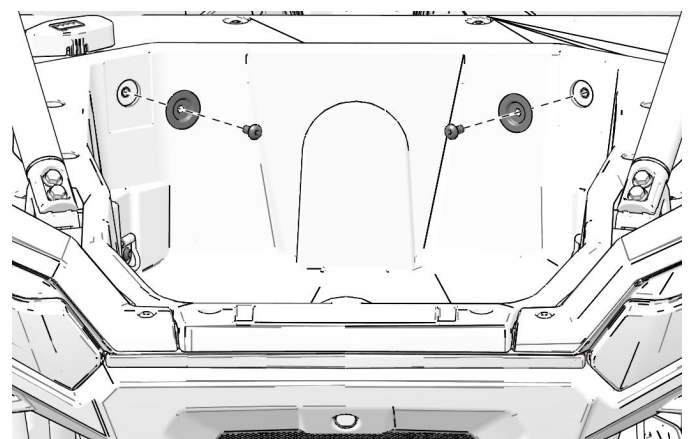
CARGO BOX INSTALLATION

1. Place cargo box in rear of vehicle



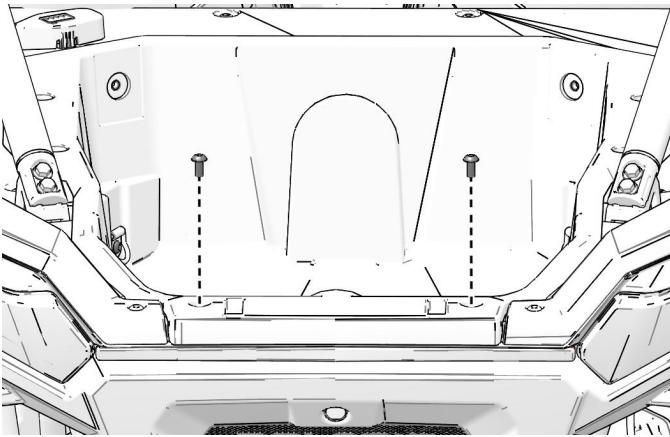
2. Loosely install stepped washers and attach to cargo box with two screws. Torque screws to specifications.

TORQUE: Cargo Box Screws:88 in-lbs (10 N • m)



3. Insert two screws and attach cargo box to vehicle. Torque screws to specifications.

TORQUE: Cargo Box Screws:88 in-lbs (10 N • m)



OPERATION

1. Accent lights should operate when ignition key is in the “Accessory” or “On” positions.

NOTICE: Rear accent light is not a brake light.



Note: Please refer to the installation video in the Amazon listing before your installation, or contact the seller for the installation video.