

# Sport Roof for Can-Am Commander

ZP-YJ-030607-006

## BEFORE YOU BEGIN

Read these instructions and check to be sure all parts and tools are accounted for. Please retain these installation instructions for future reference.

The sport roof is exclusively designed for your vehicle. Please read the installation instructions thoroughly before beginning. Installation is easier if the vehicle is clean and free of debris. For your safety, and to ensure a satisfactory installation, perform all installation steps correctly in the sequence shown.

## INSTALLATION INSTRUCTIONS

Note: Shift vehicle transmission into "PARK". Turn key to "OFF" position and remove from vehicle.

### 1. Product picture



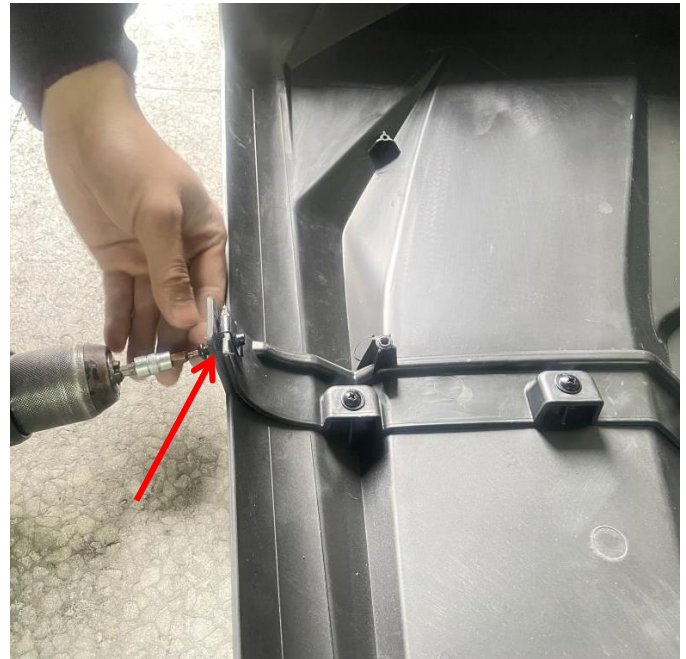
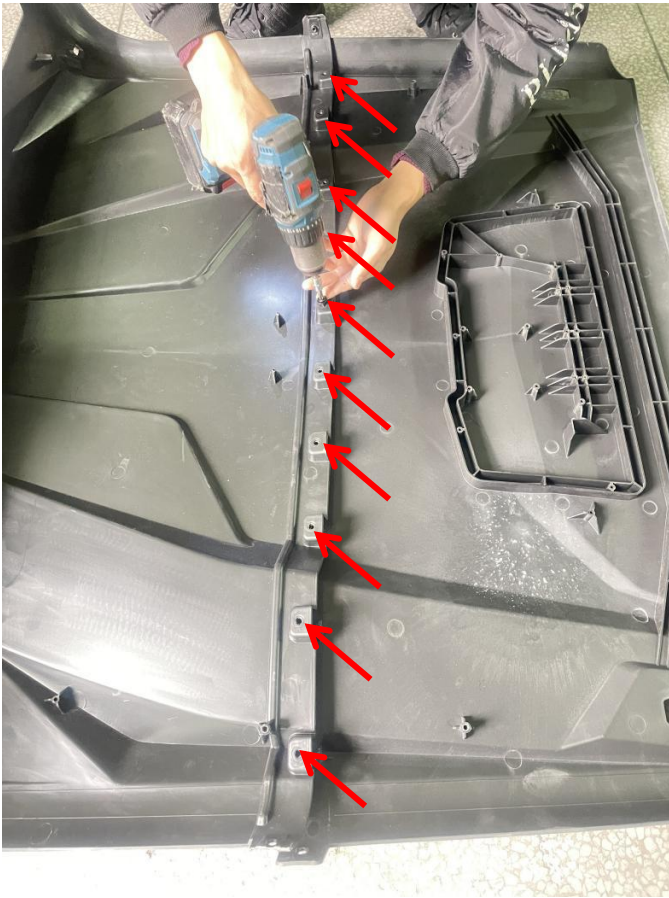
2. First, attach the rubber sponge pad in the product accessory bag to the edge of the roof surface (along the inside edge).As shown below:



3. After the sponge pad is affixed, use the self-tapping screws (each screw needs to add a flat pad with an outer diameter of 14mm) to assemble the separate roof into a whole.As shown below:

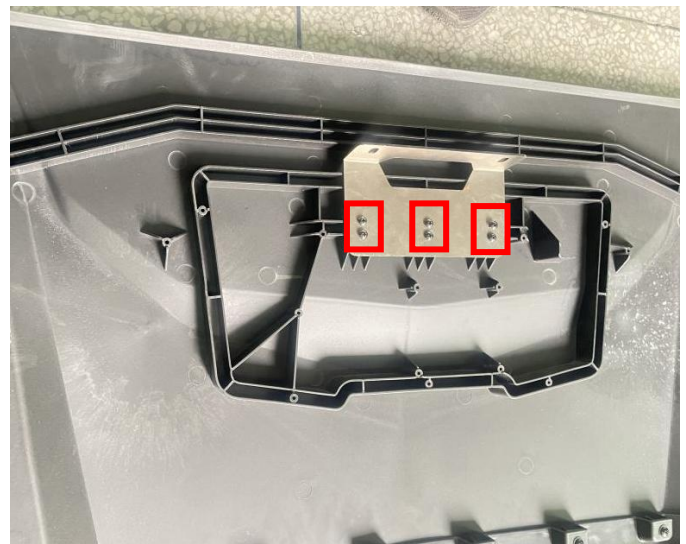
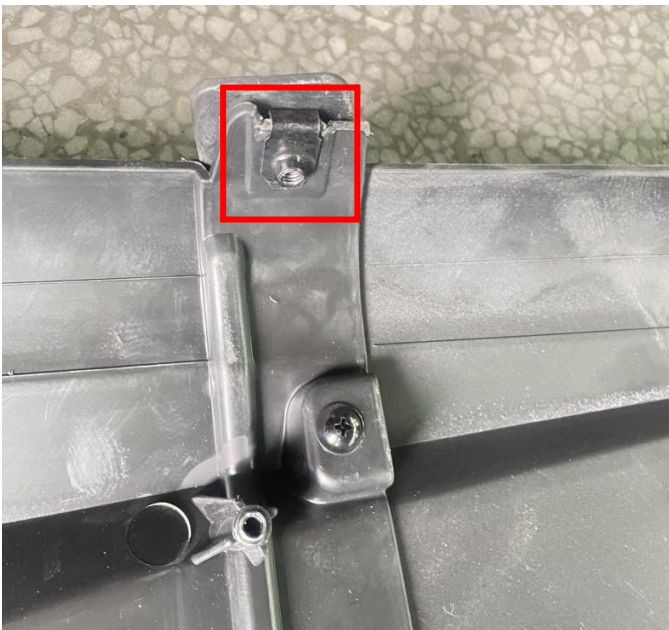
# Sport Roof for Can-Am Commander

ZP-YJ-030607-006



5. Use M4\*14 self tapping screws from the accessory package to secure the "L" shaped iron plate bracket to the roof. As shown below:

4. Insert steel clips at the beginning and end of the intersection of the two roofs (onto the roof with sponge pads) and secure them with M6\*16 screws. As shown below:



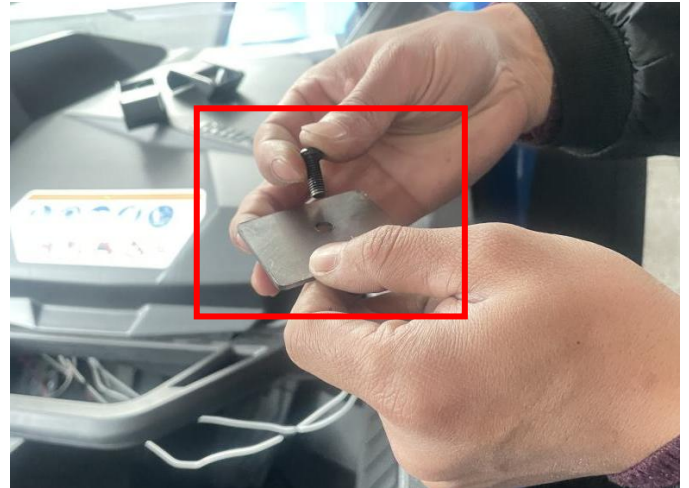


# Sport Roof for Can-Am Commander

ZP-YJ-030607-006



square gaskets, paste sponge pads on the back, and fix with nut flat pads (flat pads with an outer diameter of 20mm round).As shown below:



6. Place the assembled roof onto the original vehicle, align the screw holes on the iron plate bracket with the screw holes on the original vehicle frame, and fix them with M6\*16 screws.As shown below:



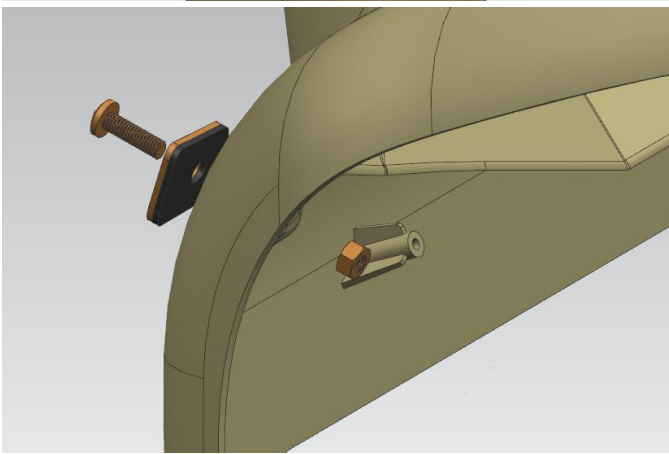
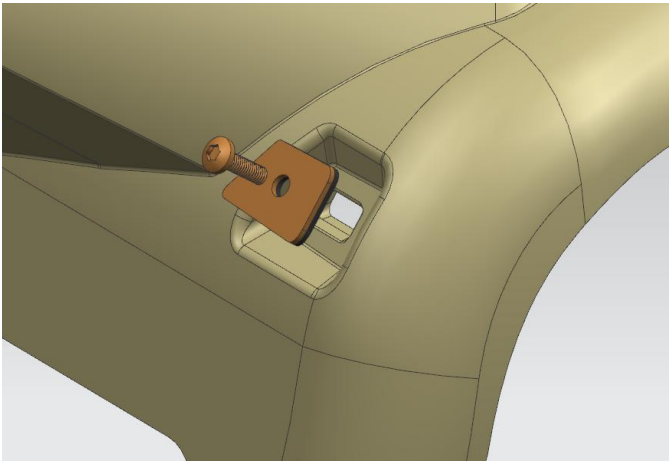
7. When fixing the front ends of the car roof, it is necessary to use M6\*20 screws, put on



8. When fixing the rear ends of the roof, it is necessary to use M6\*35 screws, put on square gaskets, paste sponge pads on the back, and fix with nut flat pads.As shown below:

# Sport Roof for Can-Am Commander

ZP-YJ-030607-006



9. Finally, fix the 4 hook shaped installation brackets that come with the product on both sides of the roof (2 on each side and fixed with self tapping screws)As shown below:



10. Installation complete!



**Note:** Please refer to the installation video in the Amazon listing before your installation, or contact the seller for the installation video.