

# REAR STORAGE BOX KIT FOR POLARIS RZR XP 1000 2024

ZP-YJ-030508-021



## BEFORE YOU BEGIN

Read these instructions and check to be sure all parts and tools are accounted for. Please retain these installation instructions for future reference.

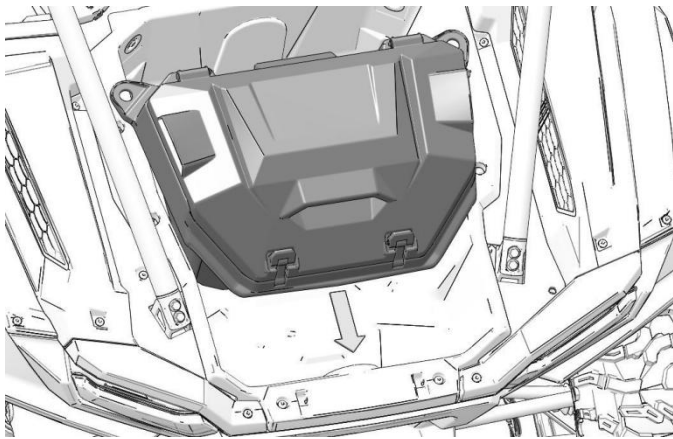
## IMPORTANT

This *Rear Storage Box* is exclusively designed for your vehicle. Please read the installation instructions thoroughly before beginning. Installation is easier if the vehicle is clean and free of debris.

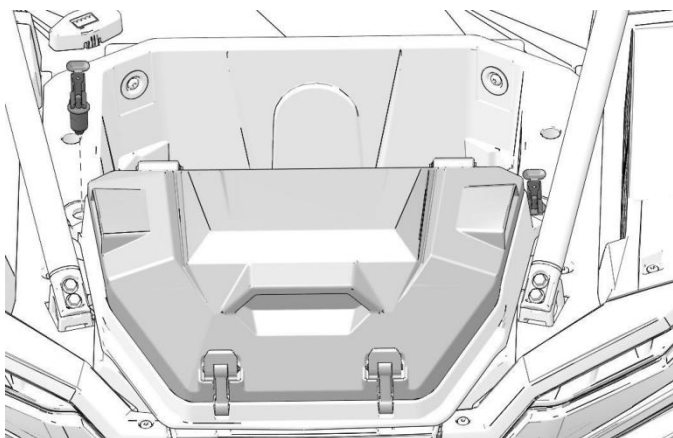
## INSTALLATION INSTRUCTIONS

Note: Shift vehicle transmission into “PARK”. Turn key to “OFF” position and remove from vehicle.

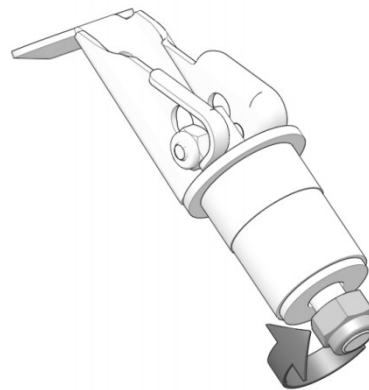
1. Install pre-assembled storage box in rear-most part of cargo box. Move front of storage box under lip of cargo box and make sure Lock & Ride storage box holes are aligned with mounting holes in rear box.



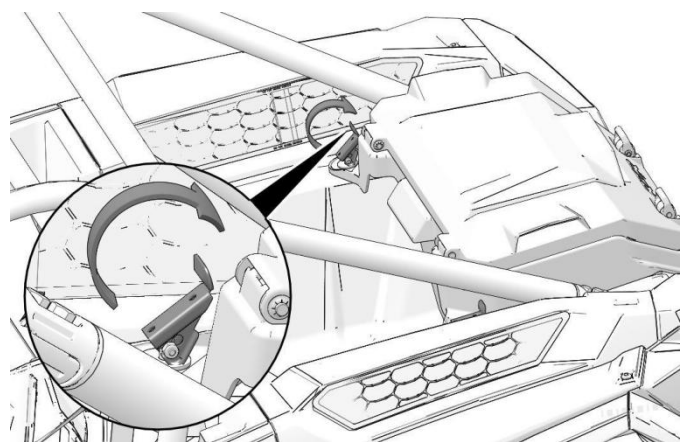
2. Install two Lock & Ride assemblies in two aligned mounting holes.



3. Lock & Ride assemblies may need adjustment. Tighten or loosen bottom nut depending on fitment.



4. Make sure Lock & Ride assemblies are fully seated before closing top lever and securing storage box.



**Note:** Please refer to the installation video in the Amazon listing before your installation, or contact the seller for the installation video.