

# Sport Hood Scoop with Mesh for Honda Pioneer 1000

SAUTV5

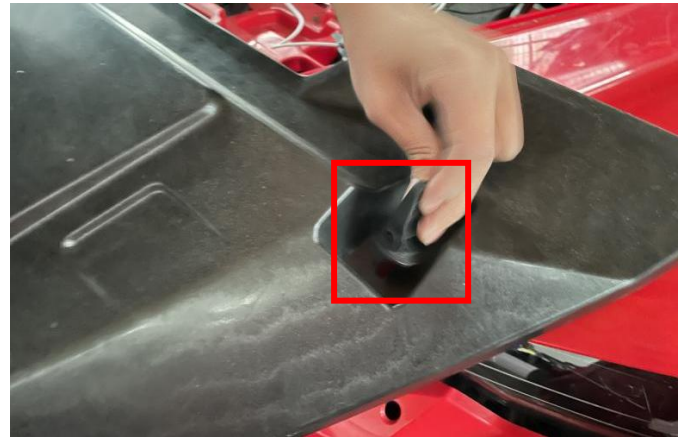
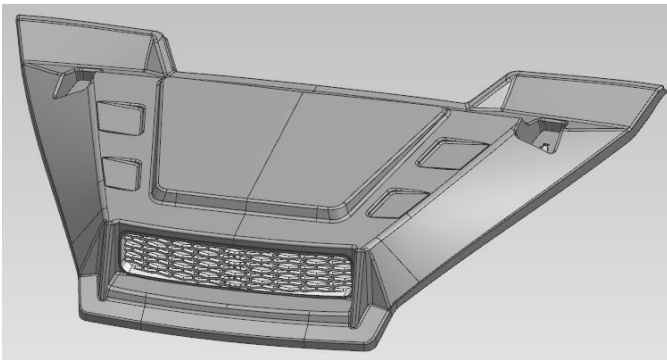
ZP-YJ-030903-014

## BEFORE YOU BEGIN

Read these instructions and check to be sure all parts and tools are accounted. Please retain these installation instructions for future reference.

This *Sport Hood Scoop with Mesh* is exclusively designed for your vehicle. Please read the installation instructions thoroughly before beginning. Installation is easier if the vehicle is clean and free of debris.

## PRODUCT

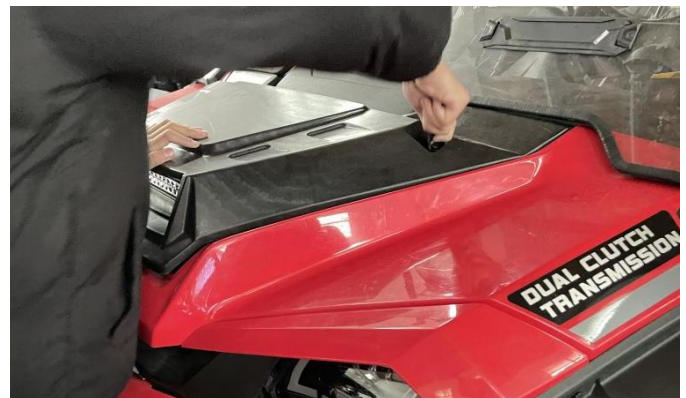


## INSTALLATION INSTRUCTIONS

1. Shift vehicle transmission into "PARK". Turn key to "OFF" position and remove from vehicle.
2. Remove the original front cover of the vehicle first, and then move the hood clips to the new cover. As the picture shows:



3. Put the cover back on the vehicle and fasten the hood clips.



4. The installation is complete.



**Note:** Please refer to the installation video in the Amazon listing before your installation, or contact the seller for the installation video.