

Front Bumper Guard For Can-Am Outlander 500

SAUTVS®

ZP-YJ-030606-015

BEFORE YOU BEGIN

Read these instructions and check to be sure all parts and tools are accounted. Please retain these installation instructions for future reference.

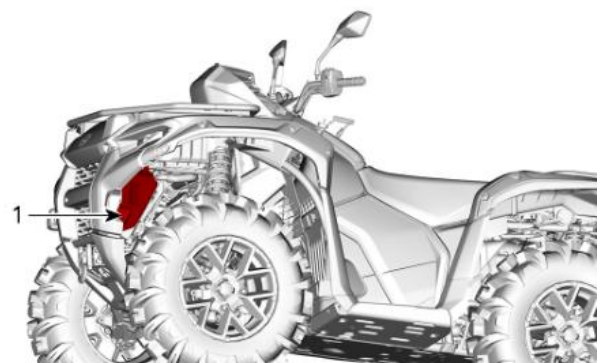
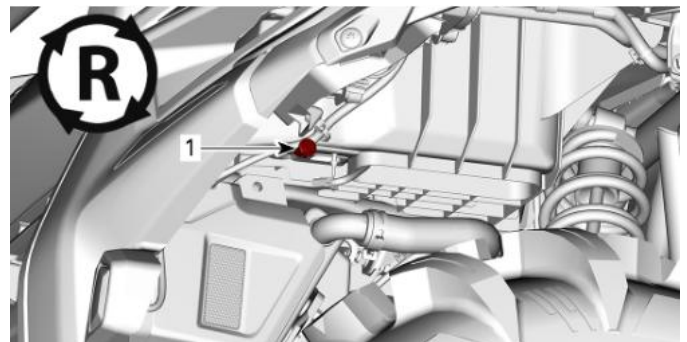
This *Front Bumper Guard* is exclusively designed for your vehicle. Please read the installation instructions thoroughly before beginning. Installation is easier if the vehicle is clean and free of debris.

INSTALLATION INSTRUCTIONS

1. Shift vehicle transmission into "PARK". Turn key to "OFF" position and remove from vehicle.
2. Assemble part 1 and part 2 through connecting tube part 3 with 2pcs M8*45 hex screws and 2pcs M8 lock nuts.



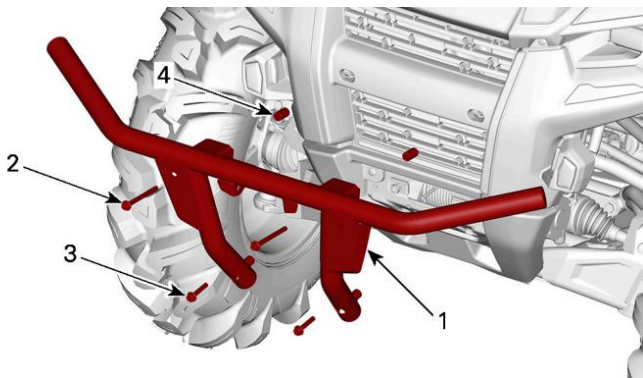
3. Remove air deflector retaining plastic rivet. Keep for reuse. Remove air deflector on each side of the vehicle.



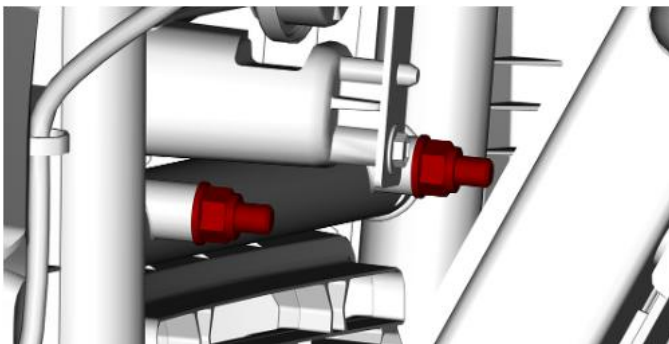
4. Install the front bumper with four screws. Use two M8x95 hex screws with two spacers for the upper part and two M8x45 hex screws for the lower part.

Front Bumper Guard For Can-Am Outlander 500

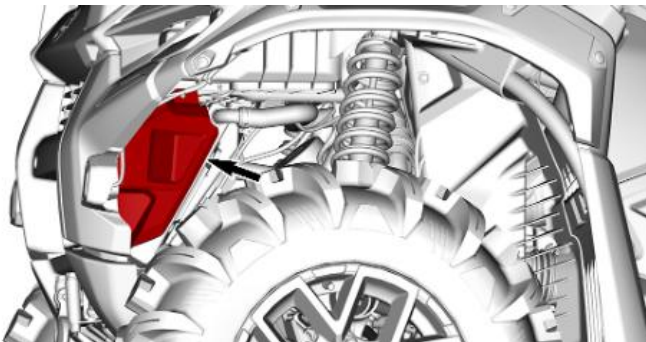
ZP-YJ-030606-015



5. Secure bumper with M8 Elastic hex. nuts and tighten them.



6. Reinstall radiator air deflectors with previously removed plastic rivet. The installation is complete.



Note: Please refer to the installation video in the Amazon listing before your installation, or contact the seller for the installation video.