

# Rear Bumper for Can-Am Maverick R

ZP-YJ-030606-017

SAUTV5®

## BEFORE YOU BEGIN

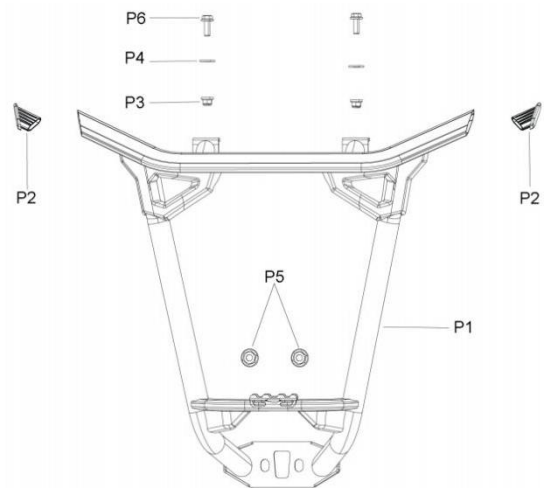
Read these instructions and check to be sure all parts and tools are accounted. Please retain these installation instructions for future reference.

## IMPORTANT

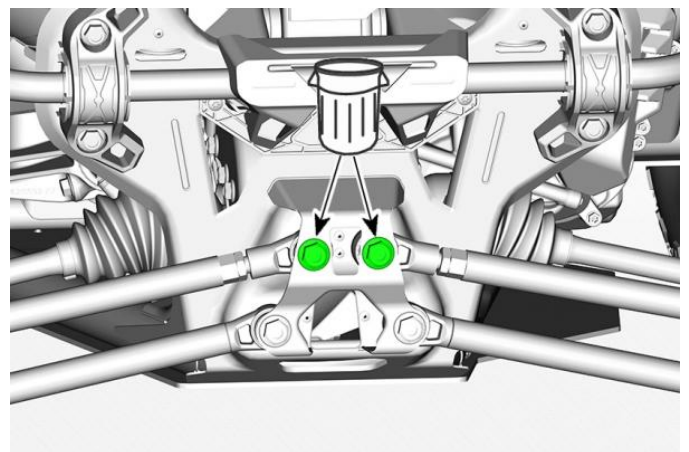
This REAR BUMPER KIT is exclusively designed for your vehicle. Please read the installation instructions thoroughly before beginning. Installation is easier if the vehicle is clean and free of debris.

## INSTALLATION INSTRUCTIONS

Assemble parts 1, 2 and 3 with 6 M8\*50 hexagon socket head cap screws and 6 M6 locknuts through 3 sleeves 4.



1. Remove and discard the two M14 screws shown below.



(NOTE: If your vehicle is equipped with a rear frame bracket, you will need to order two (2) M10 X 30 flanged screws (P/N 207603044) from your local dealership in replacement of the two (2) M10 X 25 flanged screws [P6]. See Step 7.)

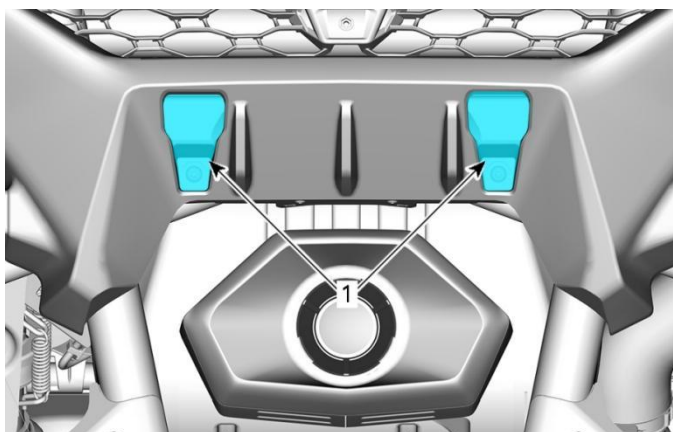
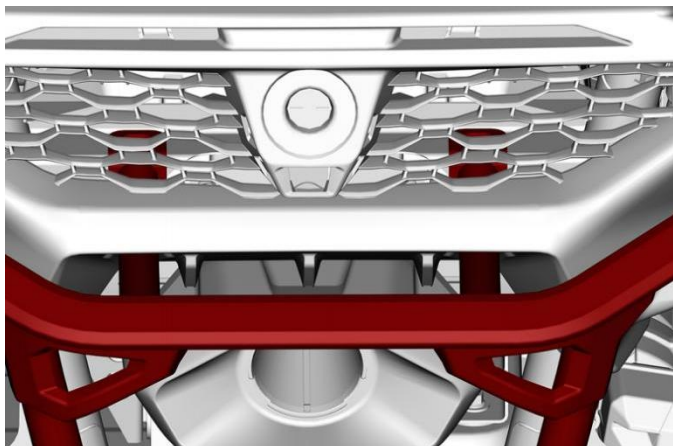
# Rear Bumper for Can-Am Maverick R

ZP-YJ-030606-017

SAUTV5®

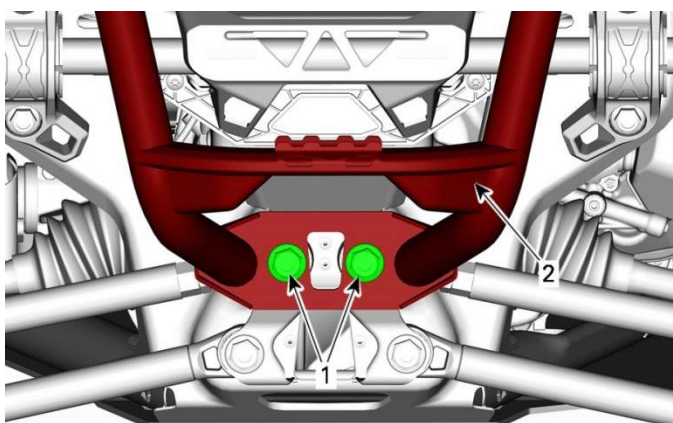


2. Insert the rear bumper [P1] using the superior anchors into the holes in the bodywork.



1. Holes to insert rear bumper

3. Engage the new M14 X 70 flanged screw [P5].

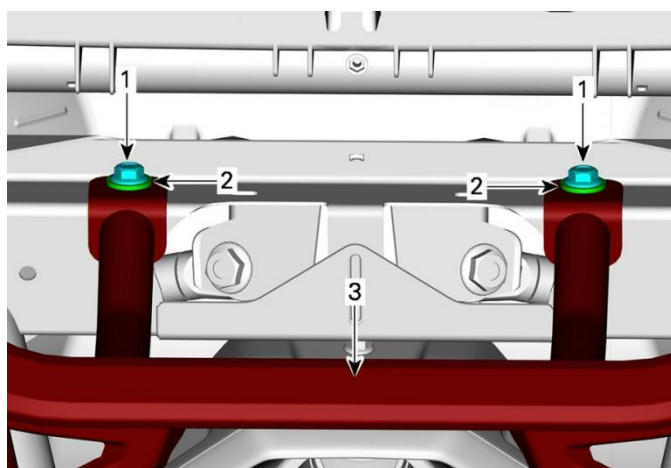


1. M14 X 70 Flanged Screw [P5]

2. Rear Bumper [P1]

4. Engage the M10 X 25 flanged screws [P6] in the top anchors with washers [P4] and the M10 elastic nuts [P3] under the chassis. This can be accessed by the side. Do not tighten yet.

(NOTE: Some parts are not shown for clarity.)

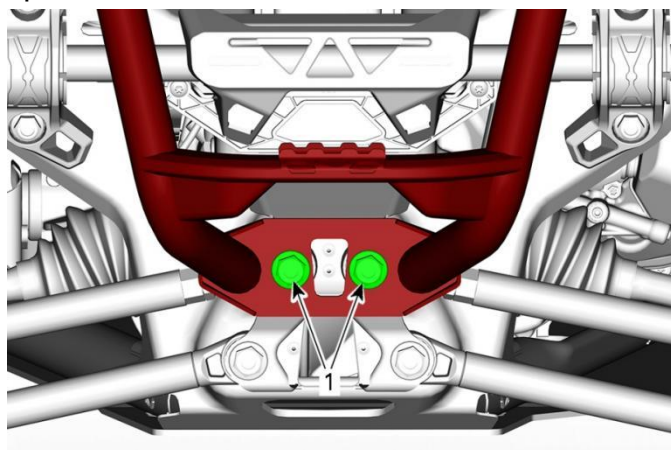


1. M10 X 25 flanged screw [P6]

2. Washer [P4]

3. Rear Bumper [P1]

5. Tighten the M14 X 70 flanged screw [P5] to specification.



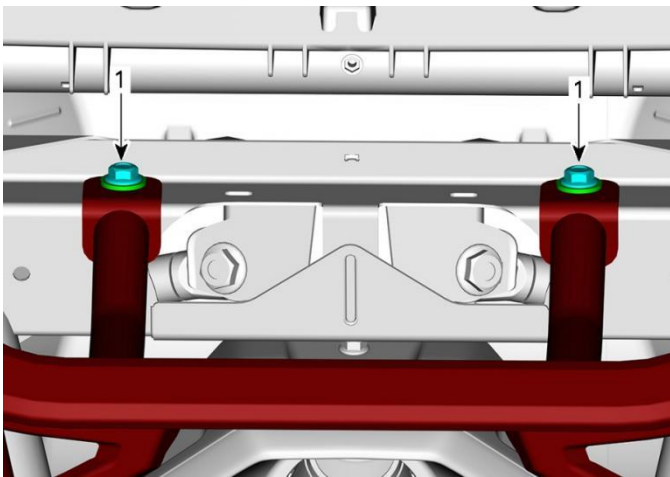
1. M14 X 70 Flanged screw [P5]

6. Tighten the M10 X 25 flanged screw [P6]. Tighten on the nut and hold the head of the screw with a wrench through the grid. Tighten to specification.

# Rear Bumper for Can-Am Maverick R

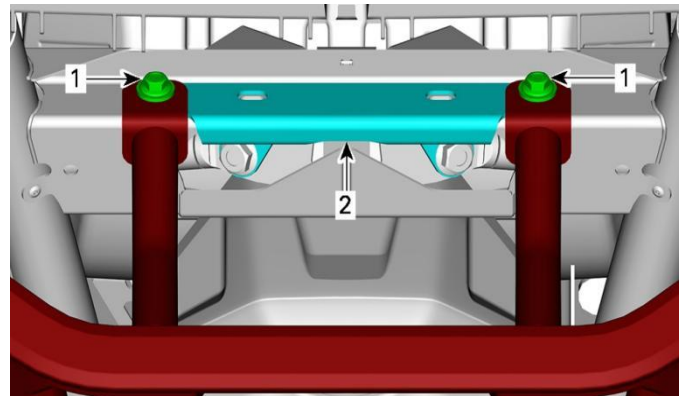
ZP-YJ-030606-017

SAUTV5



1. M10 X 25 Flanged screw [P6]

7. If your vehicle is equipped with a rear frame bracket, place the bumper over the bracket and instead of using the M10 X 25 flanged screws [P6] use two (2) new M10 X 30 flanged screws (not included) (P/N 207603044). Tighten to specification.



1. New M10 X 30 Flanged Screw (P/N 207603044)

2. Rear Frame Bracket

**Note:** Please refer to the installation video in the Amazon listing before your installation, or contact the seller for the installation video.