

Rear Window Molle Panels for Polaris XPEDITION ADV/ ADV5 2024+



ZP-YJ-030503-154

BEFORE YOU BEGIN

Read these instructions and check to be sure all parts and tools are accounted. Please retain these installation instructions for future reference.

IMPORTANT

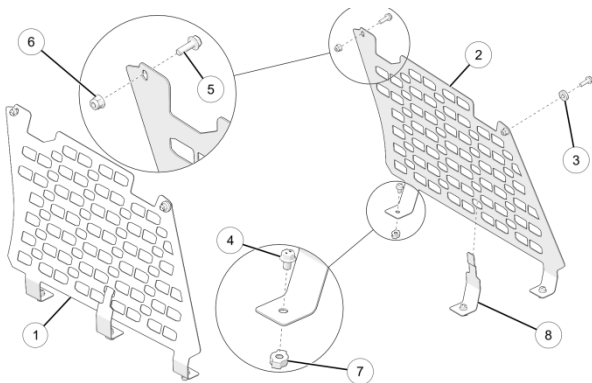
These *Molle Panels* are exclusively designed for your vehicle. Please read the installation instructions thoroughly before beginning. Installation is easier if the vehicle is clean and free of debris.

INSTALLATION INSTRUCTIONS

Product picture



Installation



Note: Shift vehicle transmission into “PARK”. Turn key to “OFF” position and remove from vehicle.

Lock & Ride Window Removal (If Equipped)

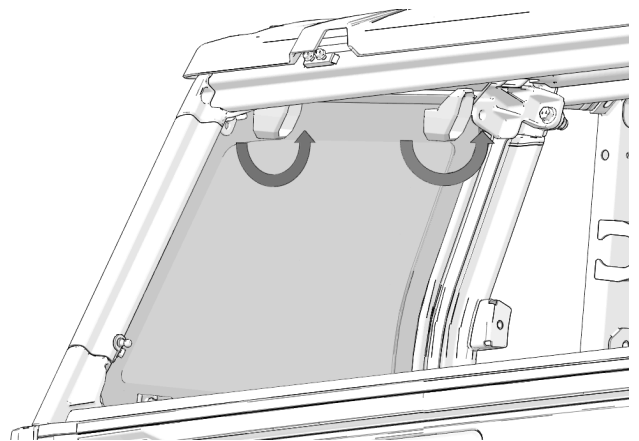
NOTICE

Left side shown; right side similar.

1. Turn handles at inside top of window one quarter-turn.

NOTICE

Turn handles so that they point toward rear of vehicle.



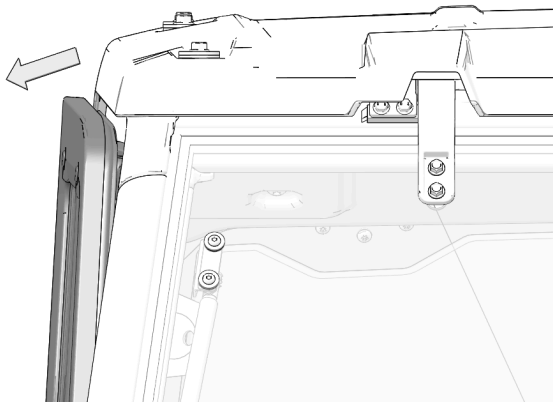
2. Tilt top of window outward.

Ref	Qty	Part Description
1	1	Molle Panel - Rear, Left
2	1	Molle Panel - Rear, Right
3	2	Spacer, (8.5 x 25 x 6 mm)
4	6	Screw - Hex Flange Head, (M8 x 1.25 x 12 mm)
5	4	Screw - Hex Flange Head, (M8 x 1.25 x 25 mm)
6	4	Nut - Hex Flange, (M8 x 1.25 mm)
7	6	Nut - T, (M8 x 1.25 mm)
8	2	Leg - Molle Panel

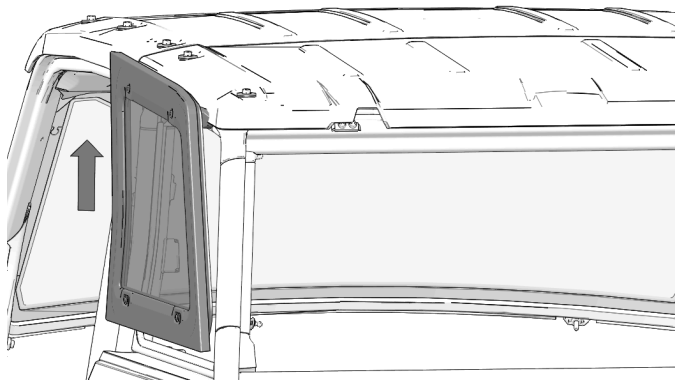
Rear Window Molle Panels for Polaris XPEDITION ADV/ ADV5 2024+



ZP-YJ-030503-154



3. Lift window up to remove.

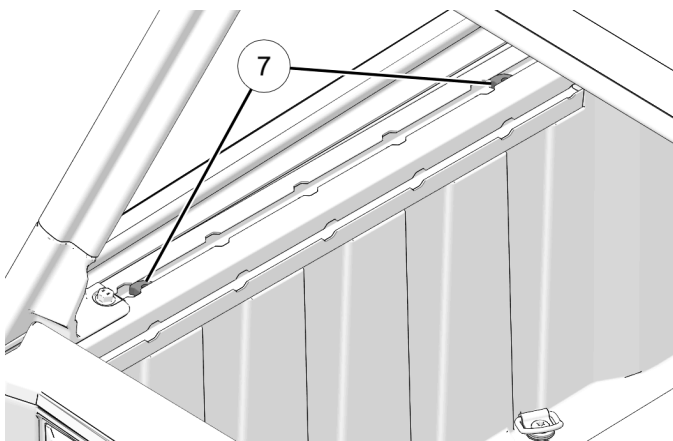


Accessory Installation

NOTICE

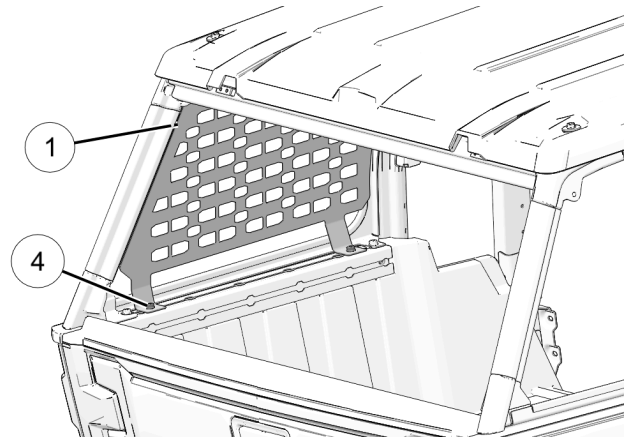
Left side shown; right side similar.

1. Set MOLLE panel on top of rail and align with top mounting holes. Select positions on rail where lower fasteners will be located. Place T-nuts (7) in rail at these locations.



2. Loosely install MOLLE panel (1) to rail. Use two screws (4) to install panel. Align top holes in MOLLE panel to holes in enclosure.

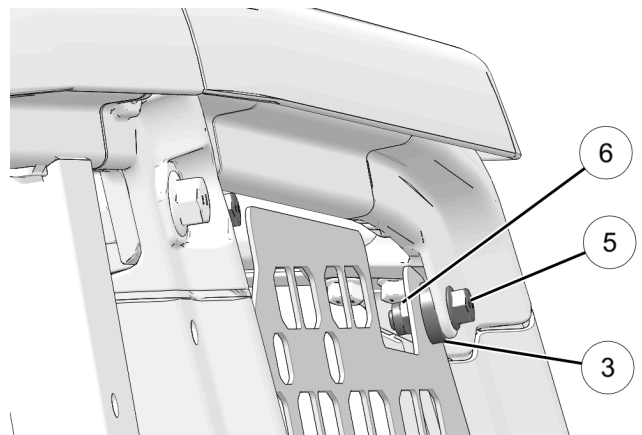
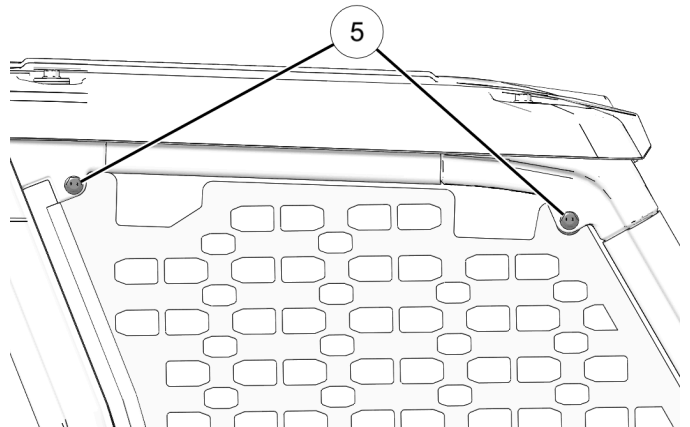
Note: Do not torque fasteners at this time.



3. Install upper mounting hardware. Use screw (5) and nut (6) in hole closest to front of vehicle. Use screw(5), nut(6), and spacer(3) in hole closest to rear of vehicle. Position spacer between MOLLE panel and enclosure, as shown. Torque screws to specification.

TORQUE

Screws(5): 24 ft-lbs (32 N • m)

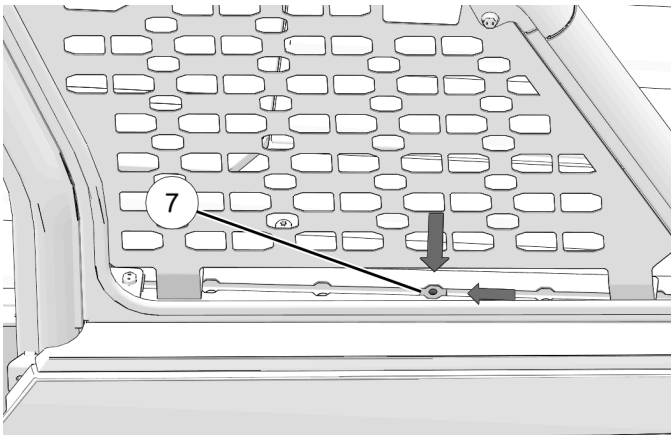


4. Insert t-nut (7) in rail.

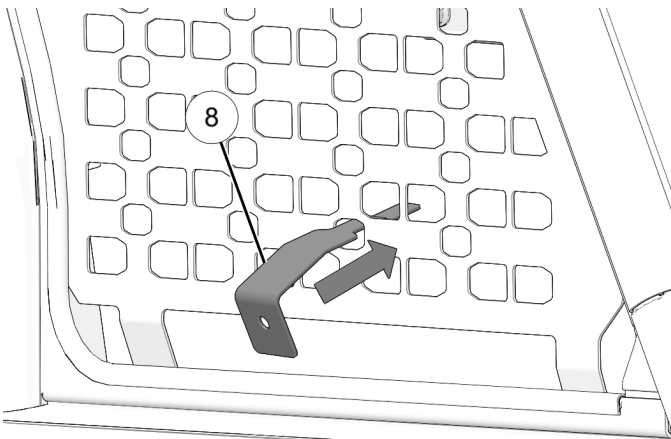
Rear Window Molle Panels for Polaris XPEDITION ADV/ ADV5 2024+



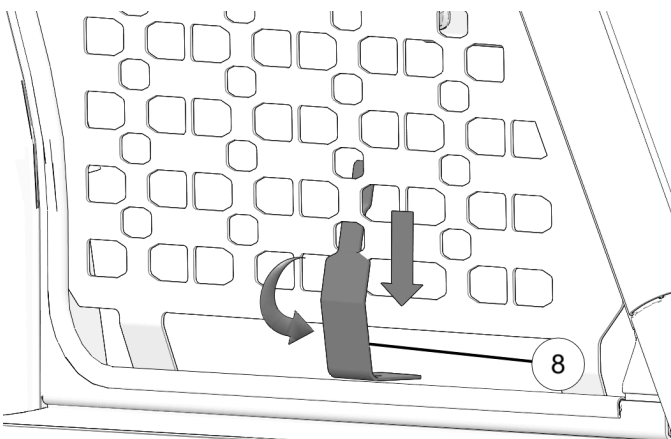
ZP-YJ-030503-154



5. Push top half of leg (8) through hole in MOLLE panel, as shown.



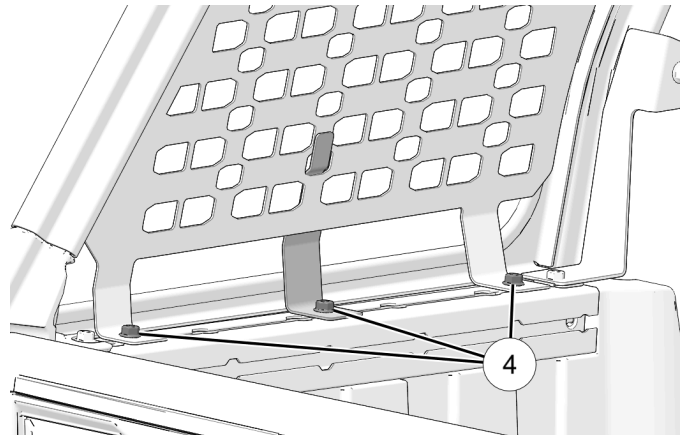
6. Push bottom of leg (8) toward rail, and lower leg until it rests on rail.



7. Install screw (4) for leg. Tighten lower screws (4) to specification.

TORQUE

Screws(4): 24 ft-lbs (32 N • m)



8. Repeat steps for right side MOLLE panel.
9. Re-install Lock & Ride windows if desired.

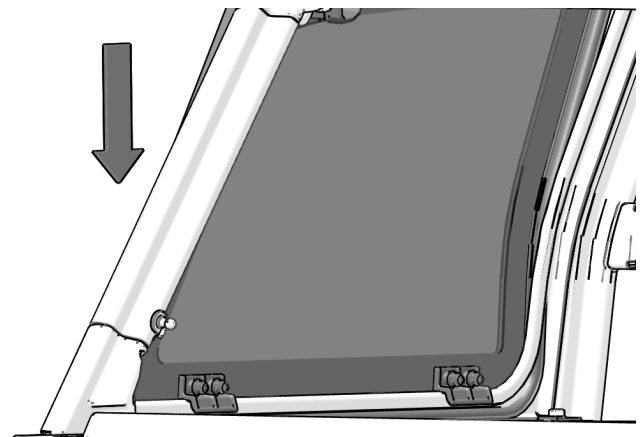
Vehicle Reassembly

Lock and Ride Window Installation

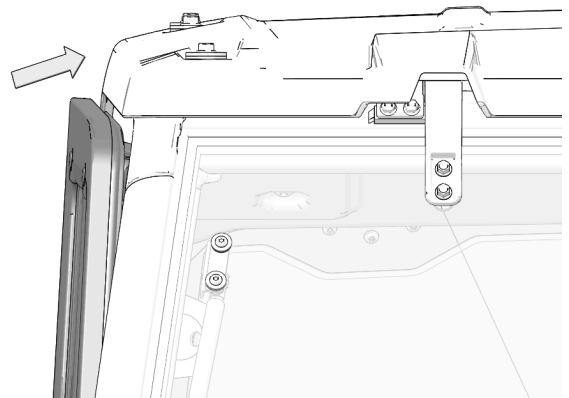
NOTICE

Left side shown; right side similar.

1. Lower window into position. Lower mounting brackets on window install over bottom of window frame.



2. Tilt top of window into window frame.

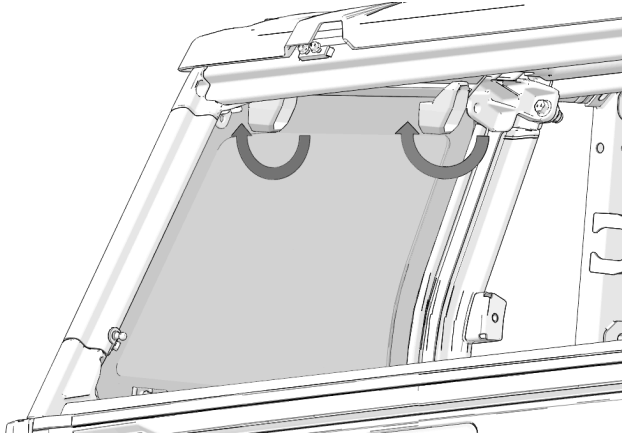


Rear Window Molle Panels for Polaris XPEDITION ADV/ ADV5 2024+



ZP-YJ-030503-154

3. Turn handles upward to lock window into place.



4. The installation is complete.



Note: Please refer to the installation video in the Amazon listing before your installation, or contact the seller for the installation video.