

BEFORE YOU BEGIN

Read these instructions and check to be sure all parts and tools are accounted for. Please retain these installation instructions for future reference.

This SIDE MIRRORS KIT is exclusively designed for your vehicle. Please read the installation instructions thoroughly before beginning. Installation is easier if the vehicle is clean and free of debris.

INSTALLATION INSTRUCTIONS

Note: Shift vehicle transmission into "PARK". Turn key to "OFF" position and remove from vehicle.

Models without doors AND Models with MY21 and prior Half Doors

Product and accessories picture:



1. First, use a ball joint pressure plate to fix the installation bracket of the reversing mirror on the mirror holder, and use M5 * 16 screws to fix it (do not tighten the screws too tightly yet). As shown in picture:



2. Take out the bracket with nuts welded from the accessory package and place it in the gap at the A-pillar of the original vehicle (the nut position needs to be aligned with the hole for

fixing the rearview mirror). Then install the rearview mirror bracket at the A-pillar and fix it with M6 * 20 screws (the screws need to be threaded with matching washers in advance). As shown in picture:

Note: The rear shell of the rearview mirror is engraved with "L"/"R" markings. Please confirm the direction before installation to avoid installation errors.

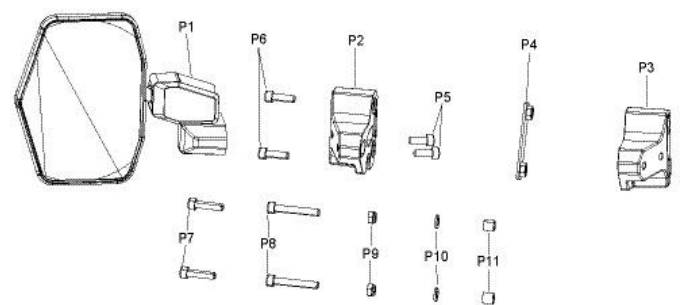


Side Mirrors for CAN-AM Defender

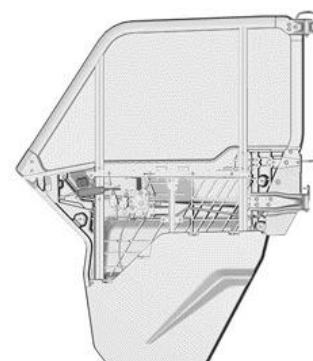
ZP-YJ-030605-015



3. Finally, adjust the rearview mirror to the appropriate angle, and then tighten the fixing pressure plate screw on the mirror holder (the other side of the rearview mirror is installed in the same way). As shown in picture:



Models with MY22 and Up Full Doors with Power Window



4. Installation completed!

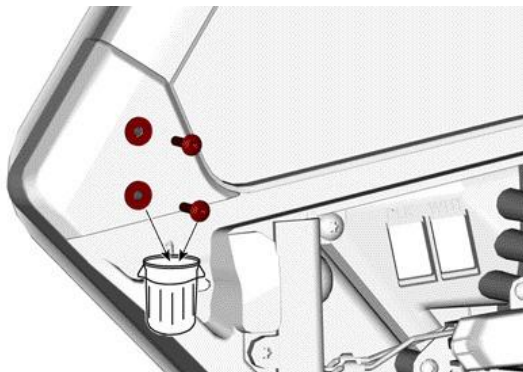
Side Mirrors for CAN-AM Defender

ZP-YJ-030605-015

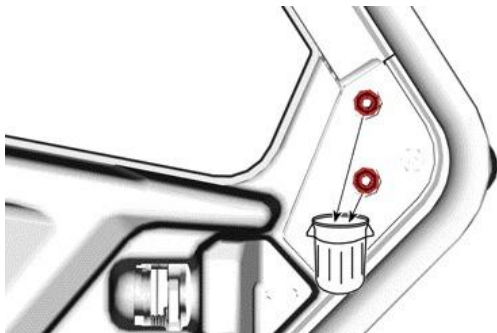


1. Remove and discard screws, washers and nuts from the door.

outside view - screws and washers to discard

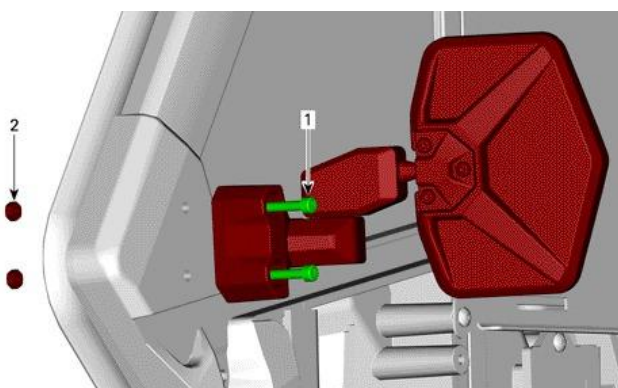


inside view - nuts to discard

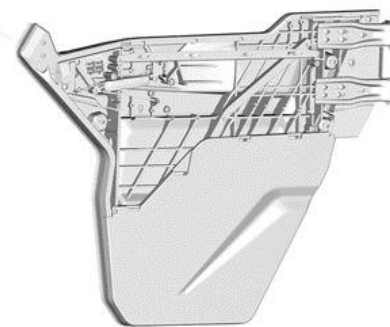


2. Install rear view mirror ass'y on door and secure using two M6 X 40 Torx screws [P8] and 2 M6 hex. nuts [P9]. Tighten to specification.

- 1) M6 X 40 Torx Screw [P8]
- 2) M6 Hex. Nut [P9]

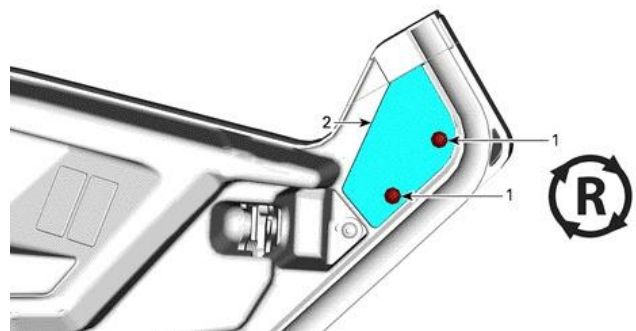


Models with MY22 and Up Front Half Doors



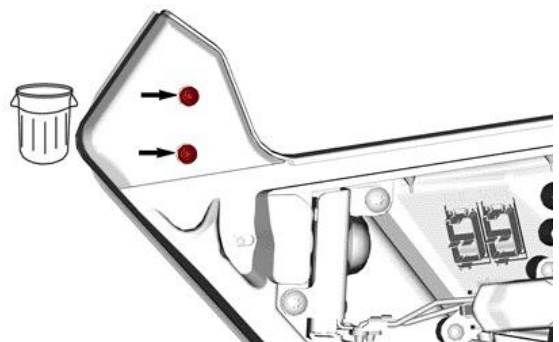
1. Remove and keep the following screws and the cover plate on the inside of the door.

- 1) Screw
- 2) Cover Plate



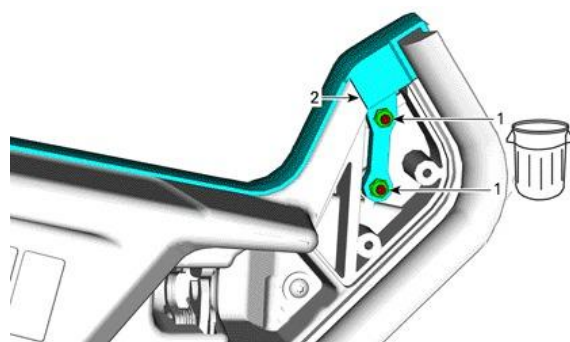
2. Remove and discard the screws and nuts holding the rubber seal.

outside view - screws to discard



inside view

- 1) Nuts to discard
- 2) Rubber Seal



3. Insert two bushings [P10] inside the

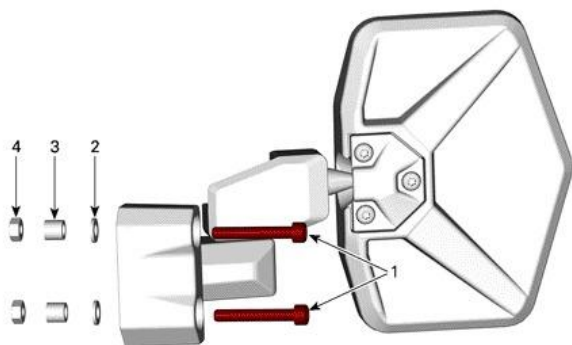
Side Mirrors for CAN-AM Defender

ZP-YJ-030605-015

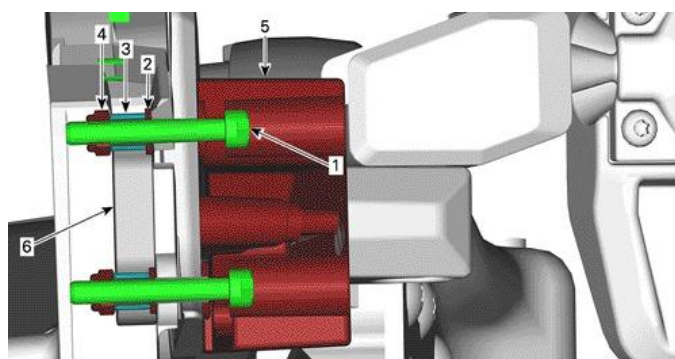


rubber seal band. You may have to enlarge the holes in the rubber to insert the bushings. Place two washers [P11] between the plastic of the door and the rubber seal band. Secure using two M6 X 40 Torx screws [P8] and two M6 hex. nuts [P9]. Tighten to specification.

- 1) M6 X 40 Torx Screw [P8]
- 2) Washer [P11]
- 3) Bushing [P10]
- 4) M6 Hex. Nut [P9]

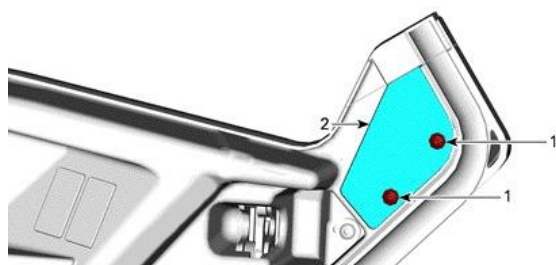


- 1) M6 X 40 Torx Screw [P8]
- 2) Washer [P11]
- 3) Bushing [P10]
- 4) M6 Hex. Nut [P9]
- 5) LH Mirror Support [P2]
- 6) Rubber Seal



4. Reinstall the previously removed screws and cover plate on the inside of the door.

- 1) Screw
- 2) Cover Plate

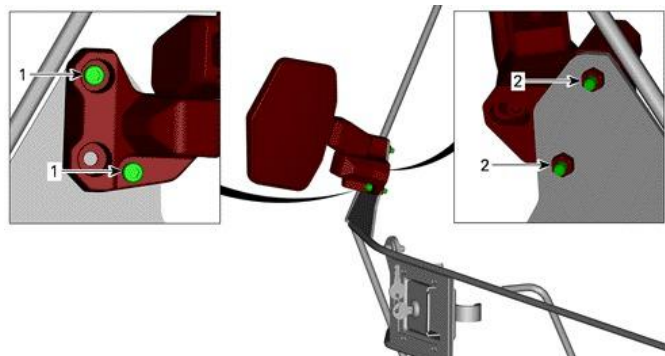


Models with Soft Doors

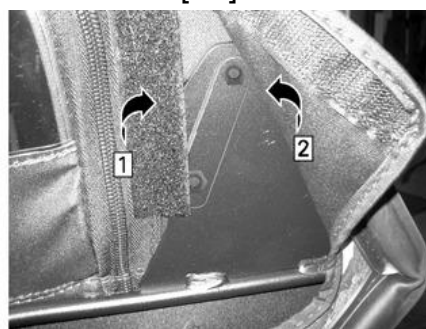


1. Install LH mirror ass'y on vehicle frame using two M6 X 20 Torx screws [P6] and two hex. nuts [P9]. Tighten to specification.

- 1) M6 X 20 Torx Screw [P6]
- 2) M6 X 20 Torx Screw [P6]



2. Fold both Velcro flaps of the soft door above the hex. nuts [P9].



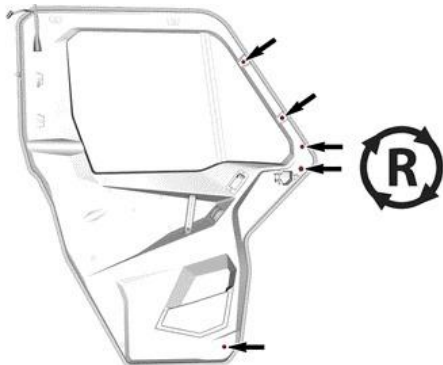
Models with MY21 and prior Rigid Doors

Side Mirrors for CAN-AM Defender

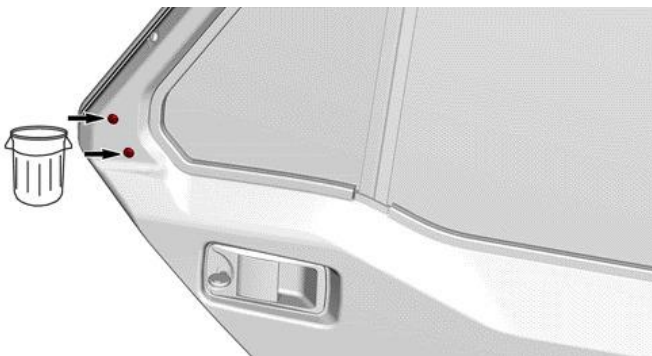
ZP-YJ-030605-015



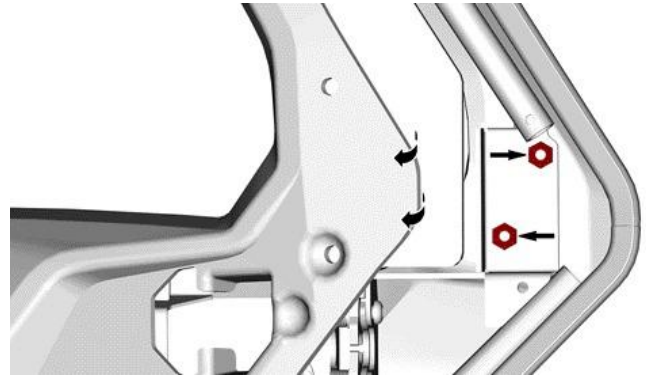
1. Remove and keep the following 5 darts.



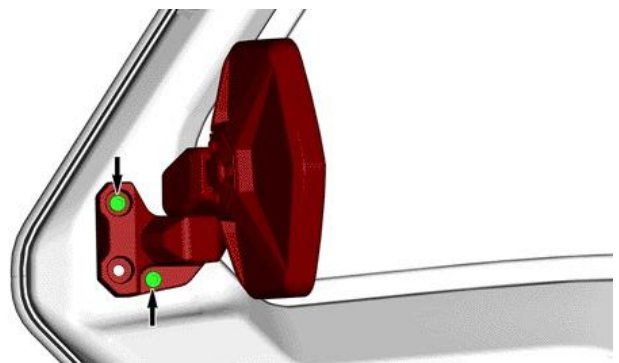
2. Gently pull on inner door cover to remove and discard screws and nuts from the door.
NOTICE: Ensure not to pull too hard, part could not return to original shape.



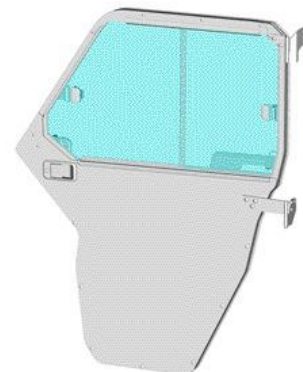
3. Gently pull on inner door cover to provide access for adding the two NEW hex. nuts [P9].
NOTICE: Ensure not to pull too hard, part could not return to original shape.
NOTE: You might need the help of a colleague to keep the nuts in place while you perform the next step.



4. Install LH mirror ass'y on the door and secure using two M6 X 25 Torx screws [P7]. Tighten to specification.



Models with Clear Rigid Doors (polycarbonate)

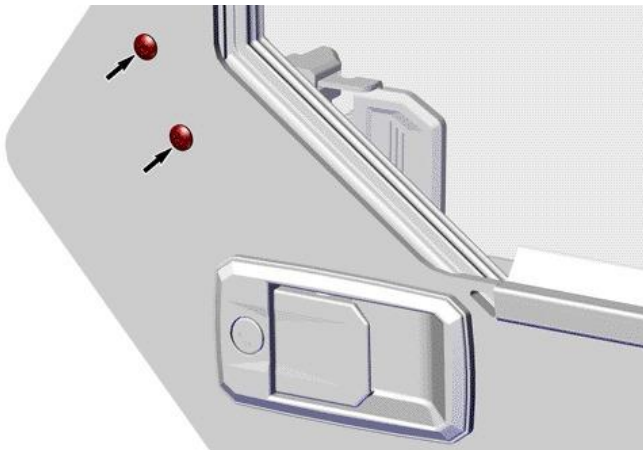


1. Carefully remove and keep following fasteners.

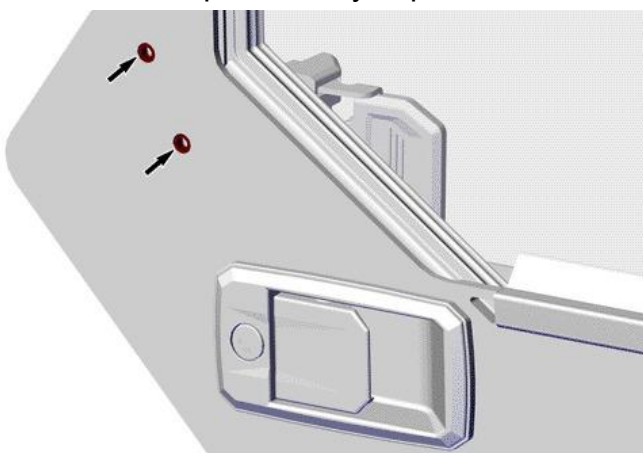
NOTE: The spacers could come with the screws.

Side Mirrors for CAN-AM Defender

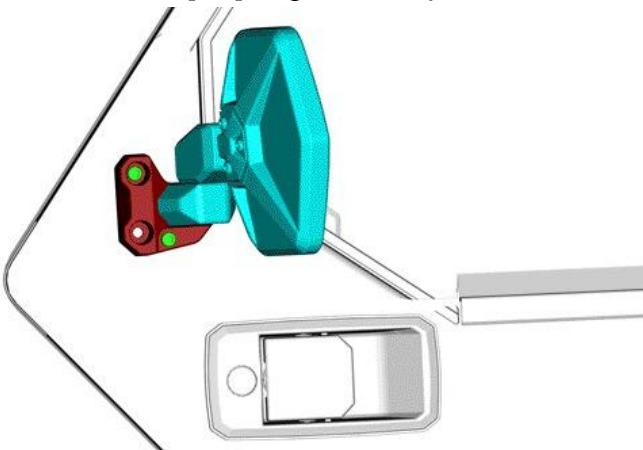
ZP-YJ-030605-015



Make sure the spacers stay in place.



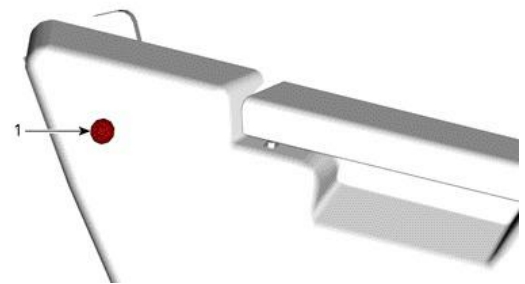
2. Install the LH mirror ass'y using two M6 X 20 Torx Screw [P6]. Tighten to specification.



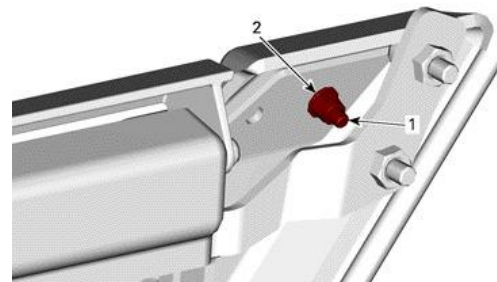
Models with MY21 and prior Half Doors

1. Remove and discard both the screw and the nut.

1) Screw

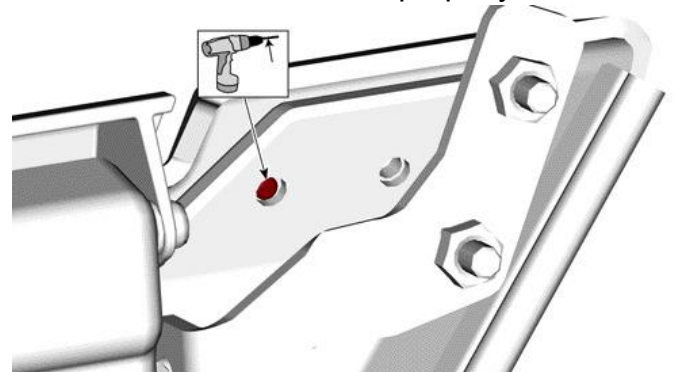


1) Screw
2) Nut



2. Drill hole with the [T1] drill bit using the door frame hole as a reference.

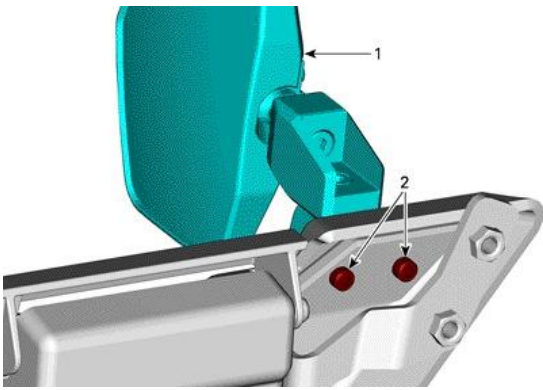
NOTE: You can also drill the predrilled hole if the screw does not slide in properly.



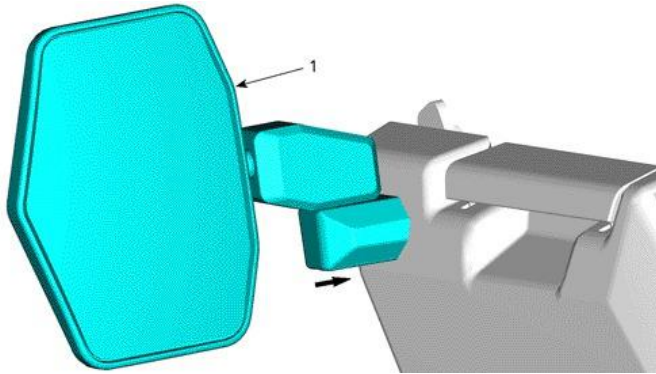
Drilling location

3. Fix the mirror on the door panel with two (2) Torx screws [P5]. Push on the mirror so it sits properly on the door then tighten.

1) Mirror [P1]
2) M6 screw [P5]



1) Mirror [P1]



Finish the mirror installation.