

Tonneau Cover for Polaris RZR XP 1000/ XP4 1000 2024



ZP-YJ-030508-024

BEFORE YOU BEGIN

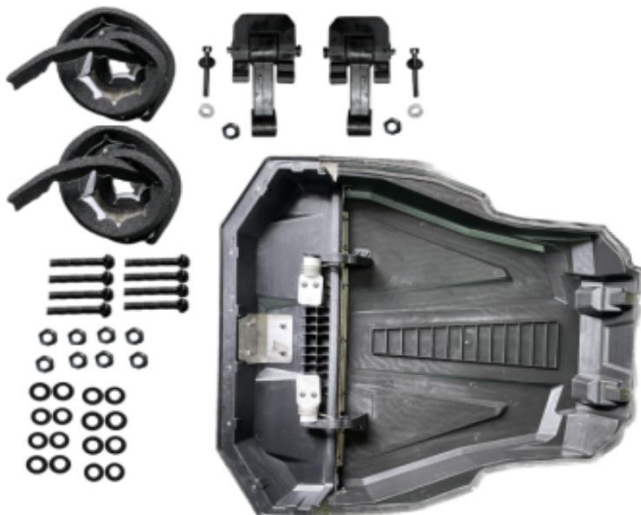
Read these instructions and check to be sure all parts and tools are accounted for. Please retain these installation instructions for future reference.

IMPORTANT

This *Tonneau Cover* is exclusively designed for your vehicle. Please read the installation instructions thoroughly before beginning. Installation is easier if the vehicle is clean and free of debris.

INSTALLATION INSTRUCTIONS

Product picture



1. First, attach the sponge seal strips (in the accessories package) to the spring folding and the edge of the cover body. As the picture shows:



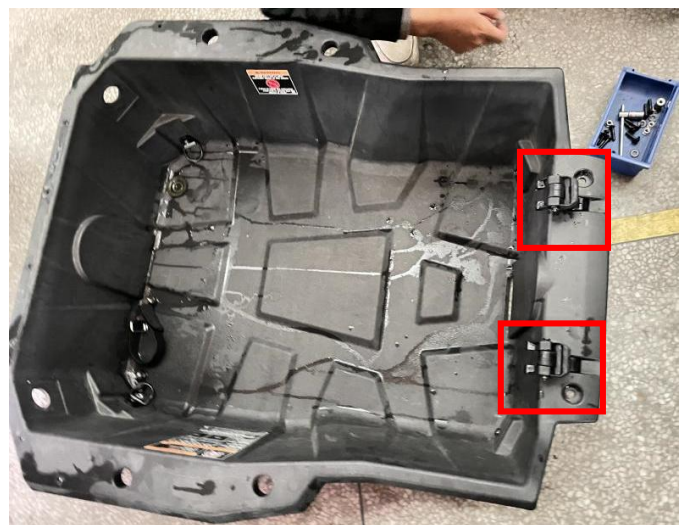
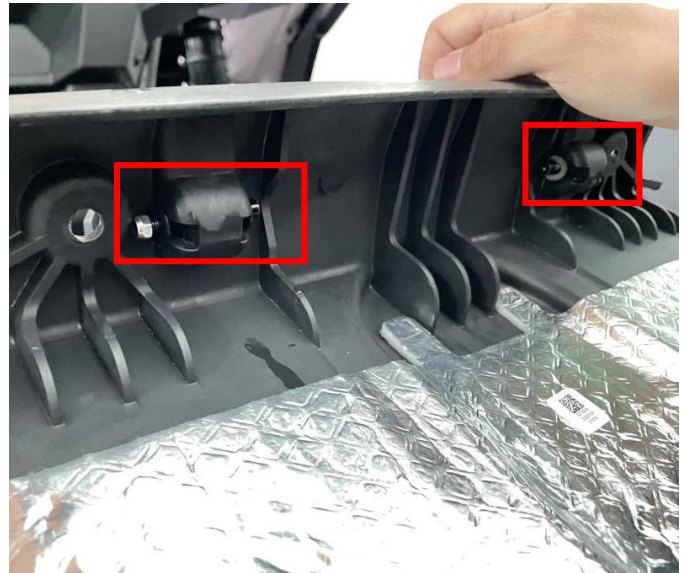
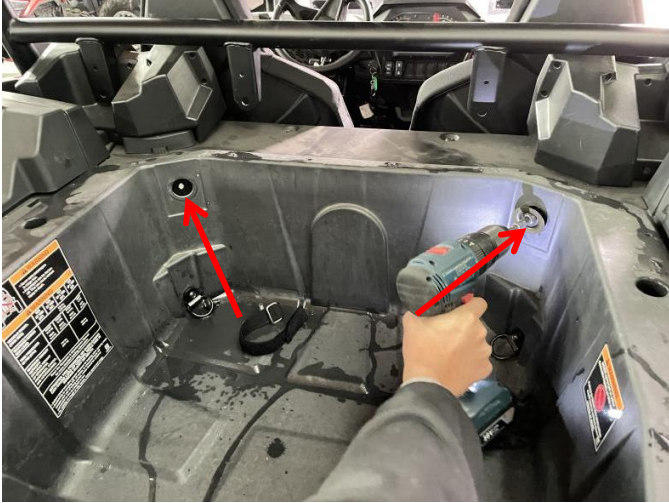
2. Remove the 4 screws that holding the cargo

Tonneau Cover for Polaris RZR XP 1000/ XP4 1000 2024



ZP-YJ-030508-024

box of the original vehicle and take out the cargo box. As the picture shows:



3. Use the matching M5 screws and flat washer nuts to fix the installation locks on the original rear cargo box, as shown in the picture:

4. Place the cover on the rear cargo box, prepare a 6mm drill bit, drill holes according to the positions of the fixing holes on the cover, and secure the cover by M6*20 screws and flat washer nuts. As the picture shows:

Tonneau Cover for Polaris RZR XP 1000/ XP4 1000 2024



ZP-YJ-030508-024



5. Finally, install back the rear cargo box with the cover to the original position according to the previous disassembly method. As the picture shows:



Tonneau Cover for Polaris RZR XP 1000/ XP4 1000 2024

SAUTV5[®]

ZP-YJ-030508-024

6. The installation is complete.



Note: Please refer to the installation video in the Amazon listing before your installation, or contact the seller for the installation video.